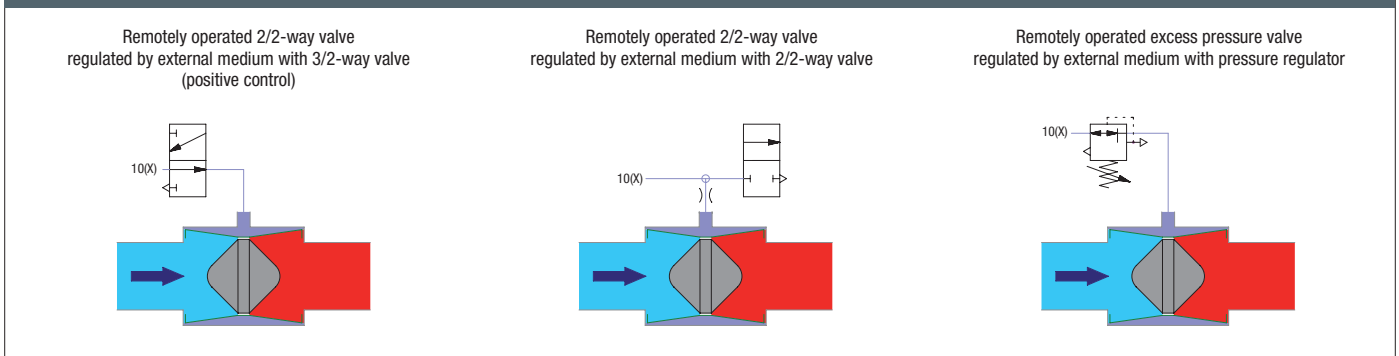


2/2-Way Valve - Type PGV Series 300 - Pressure Operated (Volume Booster) by External Medium

Price group 53	Function "B" normally open (without control pressure)	low noise and impact-free closing, for neutral, gaseous and fluids	Brass
-----------------------	---	--	--------------

Version		Control pressure [bar]	DN	Kv-value water [m³/h]	G	PN	Sealing material	Type	Order number	Price
	2/2-way valve pressure operated, double-sided blocking by external medium Permitted operating pressure 0.3 to 16 bar	\geq excess operating pressure max. 16 bar	13	3.2	G 1/2	16	NBR	PGV-331-B76-1/2BP	614101	o. r.
			13	3.2	G 1/2	16	EPDM	PGV-331-B76-1/2PP	614103	o. r.
			13	3.2	G 1/2	16	FKM	PGV-331-B76-1/2FP	614105	o. r.

Illustration

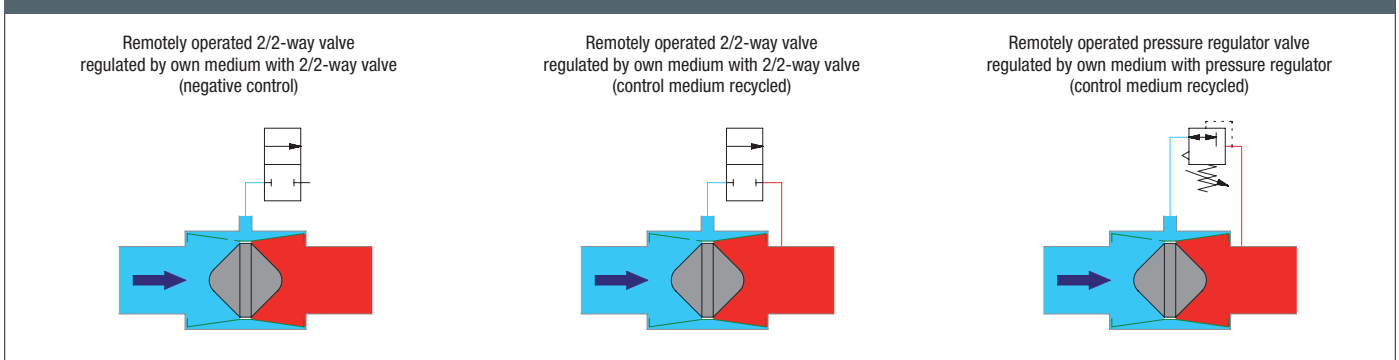


2/2-Way Valve - Type PGV Series 300 - Pressure Operated (Volume Booster) by own Medium

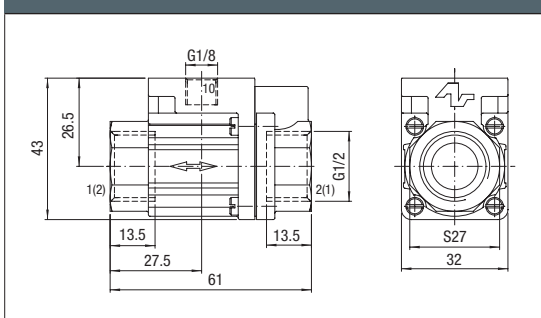
Price group 53	Function "B" normally open (without control pressure)	low noise and impact-free closing, for neutral, gaseous and fluids	Brass
-----------------------	---	--	--------------

Version		Control pressure [bar]	DN	Kv-value water [m³/h]	G	PN	Sealing material	Type	Order number	Price
	2/2-way valve pressure operated by own medium Permitted operating pressure 0.3 to 16 bar	\geq excess operating pressure max. 16 bar	13	3.2	G 1/2	16	NBR	PGV-331-B76-1/2BN	614151	o. r.
			13	3.2	G 1/2	16	EPDM	PGV-331-B76-1/2PN	614153	o. r.
			13	3.2	G 1/2	16	FKM	PGV-331-B76-1/2FN	614155	o. r.

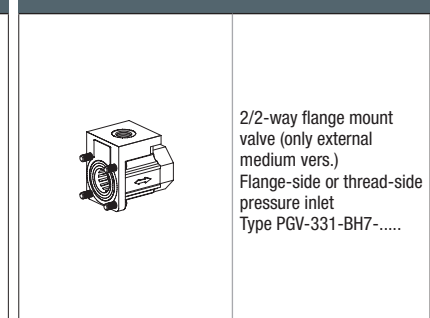
Illustration



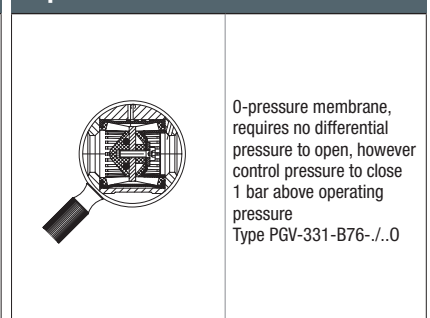
Illustration



Variations



Options



2/2-Way Valve - Type PGV Series 300 - Pressure Operated

Price group	53	Function "A" normally closed	low noise functioning, for gaseous medium, especially compressed air	Brass						
-------------	-----------	------------------------------	--	--------------	--	--	--	--	--	--

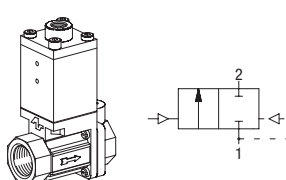
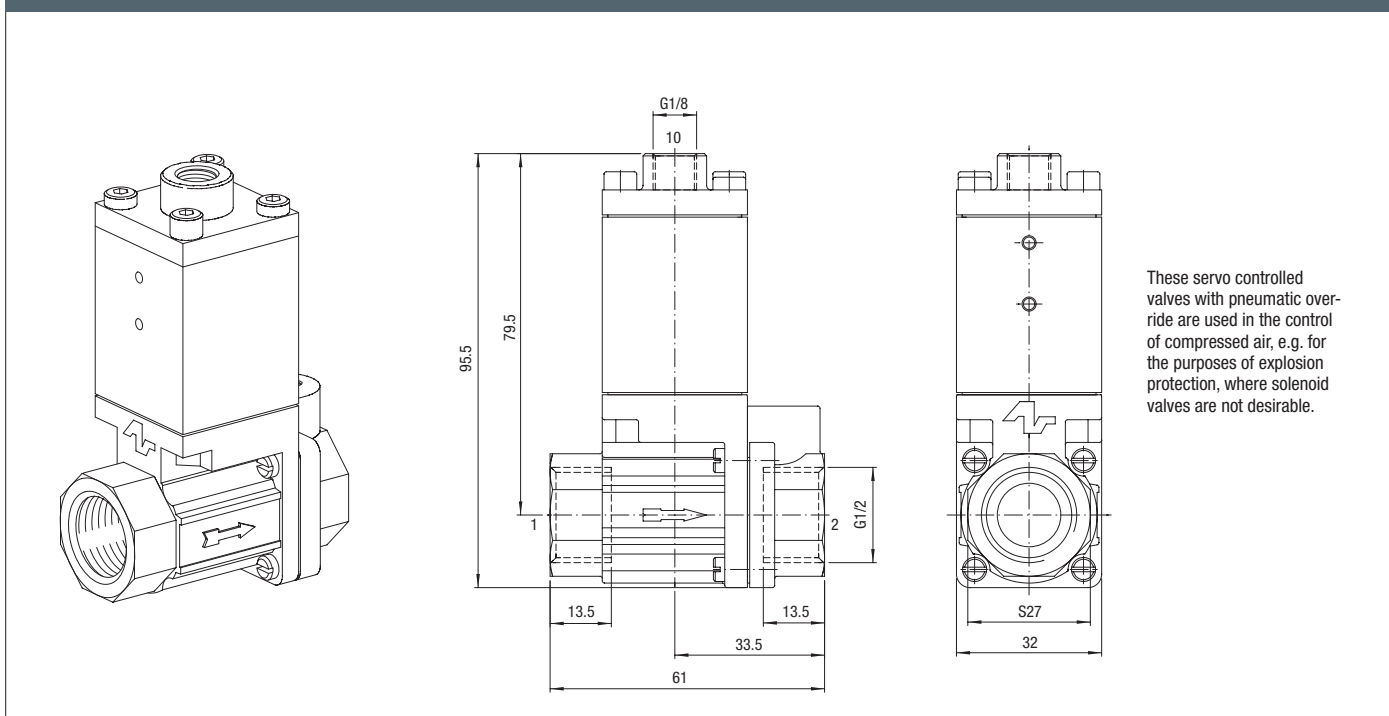
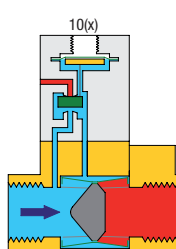
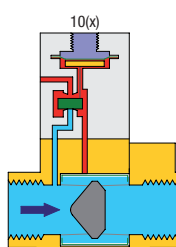
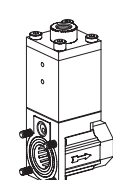
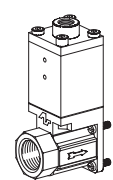
Version	Control pressure [bar]	DN	Flow air [Nm ³ /h]	G	PN	Sealing material	Type	Order number	Price
	4-7	13	3.2	G 1/2	16	NBR	PGV-351-A96-1/2BP	614181	o. r.
2/2-way valve pressure-operated by maintained compressed air Permitted operating pressure 0.3 to 16 bar									

Illustration

Function

	<p>In 0-position - pre-control valve not pressurised - its seat is closed. Pressure thus builds up in the control chamber, which due to the larger effective membrane surface holds the membrane in "closed" position.</p>
	<p>In override position - pre-control valve pressurised - its override seat is closed. The control chamber is released by the open seat, and the membrane is held in "open" position by the flow medium. A minimum pressure difference is required for this.</p>

Variations

	<p>2/2-way flange mount valve Flange-side pressure inlet Type PGV-351-.AL7-1/2BP</p>
	<p>2/2-way flange mount valve Thread-side pressure inlet Type PGV-351-.A9H-1/2BP</p>