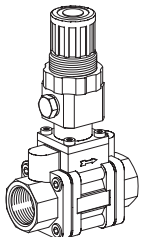
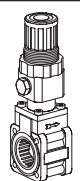
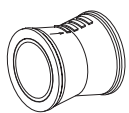

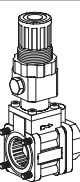
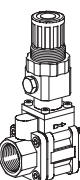
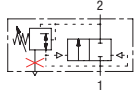


Pressure Regulator Valve - Type RGV Series 100 with Secondary Discharge

Price group 53	Low noise and impact-free control, for neutral, gaseous media (optional liquids)	Amb. temp. $T_{min} -20\text{ °C}$, $T_{max} +60\text{ °C}$ Med.-Temp. $T_{min} -10\text{ °C}$, $T_{max} +90\text{ °C}$	Brass
-----------------------	--	--	--------------

Version	Secondary pressure [bar]	DN	Flow air [l/min]	G	PN	Sealing material	Type	Order number	Price
Pressure regulator valve without pressure gauge Permitted operating pressure 0.5 to 16 bar 	0.5 - 10	15	260 to 2.600	G 1/2	16	NBR	RGV-151-1C78-1/2BN	653201	o. r.
	0.5 - 3	15	260 to 2.600	G 1/2	16	NBR	RGV-151-3C78-1/2BN	653202	o. r.
	0.5 - 6	15	260 to 2.600	G 1/2	16	NBR	RGV-151-6C78-1/2BN	653203	o. r.
	0.5 - 10	20	360 to 3.600	G 3/4	16	NBR	RGV-151-1C78-3/4BN	653301	o. r.
	0.5 - 3	20	360 to 3.600	G 3/4	16	NBR	RGV-151-3C78-3/4BN	653302	o. r.
	0.5 - 6	20	360 to 3.600	G 3/4	16	NBR	RGV-151-6C78-3/4BN	653303	o. r.
	0.5 - 10	25	800 to 8.000	G 1	16	NBR	RGV-151-1C78-1BN	653401	o. r.
	0.5 - 3	25	800 to 8.000	G 1	16	NBR	RGV-151-3C78-1BN	653402	o. r.
	0.5 - 6	25	800 to 8.000	G 1	16	NBR	RGV-151-6C78-1BN	653403	o. r.
	0.5 - 10	32	1.000 to 10.000	G 1 1/4	16	NBR	RGV-151-1C78-5/4BN	653501	o. r.
	0.5 - 3	32	1.000 to 10.000	G 1 1/4	16	NBR	RGV-151-3C78-5/4BN	653502	o. r.
	0.5 - 6	32	1.000 to 10.000	G 1 1/4	16	NBR	RGV-151-6C78-5/4BN	653503	o. r.
	0.5 - 10	40	1.400 to 14.000	G 1 1/2	16	NBR	RGV-151-1C78-6/4BN	653601	o. r.
	0.5 - 3	40	1.400 to 14.000	G 1 1/2	16	NBR	RGV-151-3C78-6/4BN	653602	o. r.
	0.5 - 6	40	1.400 to 14.000	G 1 1/2	16	NBR	RGV-151-6C78-6/4BN	653603	o. r.
	0.5 - 10	50	1.650 to 16.500	G 2	16	NBR	RGV-151-1C78-2BN	653701	o. r.
0.5 - 3	50	1.650 to 16.500	G 2	16	NBR	RGV-151-3C78-2BN	653702	o. r.	
0.5 - 6	50	1.650 to 16.500	G 2	16	NBR	RGV-151-6C78-2BN	653703	o. r.	

Variations		Options			
	Intermediate flange pressure regulator valve Flange-side 4 through bores: Type RGV-151-.CHL-...		Membrane made of other material: CR (chloroprene) optimal for compressed air HNBR (NBR with higher nitrile content) specially for certain synthetic oils		increases resistance to corrosion, and replaces stainless steel valves cost-effectively for many medium Type RGV-151Q-...
	Flange mount Pressure regulator valve Flange-side pressure inlet: Type RGV-151-.CH9-...				
	Flange mount Pressure regulator valve Thread-side pressure inlet: Type RGV-151-.C7L-...		without secondary side discharge of the pilot pressure regulator, especially for fluids Type RGV-151-.A78-...		

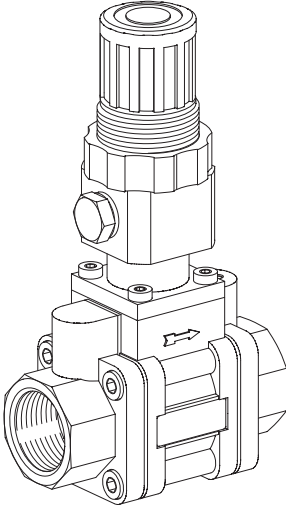
Function

Price group **53** low noise and impact-free control, for neutral, gaseous media (optional liquids)

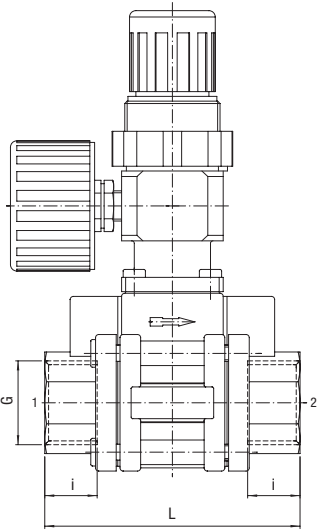
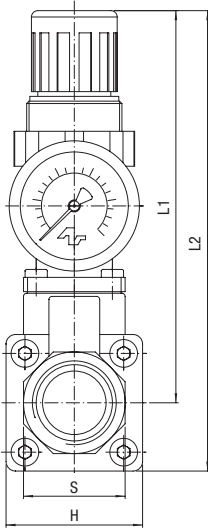
Brass

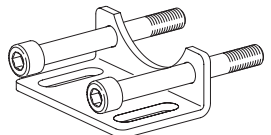
Operating position	Description

Illustration



Pilot unit can be assembled rotated by 4x90°. For assembly as shown, pressure gauge is limited to NG 40 mm Ø.

Dimensions								Mounting Accessories				
DN	G	L	I	L1	L2	H	S	Illustration	Suitable for valves	Type	Order number	Price
15	G 1/2	68.4	13.5	124.5	146	43	27		G 1/2 + G 3/4 DN 15 and DN 20	ZGV-10normal D2normal 52	616252	o. r.
20	G 3/4	80	15.5	124.5	146	43	32					
25	G 1	94	17	132.5	162	59	41					
32	G 1 1/4	112	19	132.5	162	59	50					
40	G 1 1/2	132	21	146	189.5	87	55					
50	G 2	160	24.5	146	189.5	87	70	G 1 + G 1 1/4 DN 25 and DN 32	ZGV-10normal D32-62	616262	o. r.	