

Function - Speciality

Price group

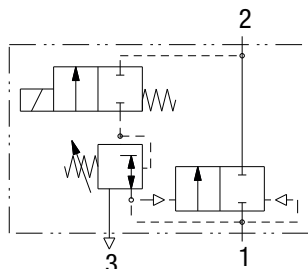
53

Function "C" closed in normal position, with secondary discharge

low noise and impact-free closing, for neutral, gaseous media (liquid optional)

Brass

Operating position

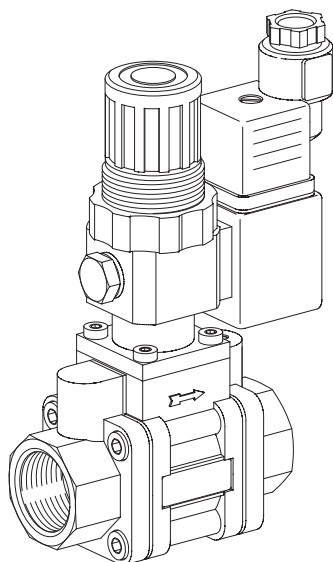


Description

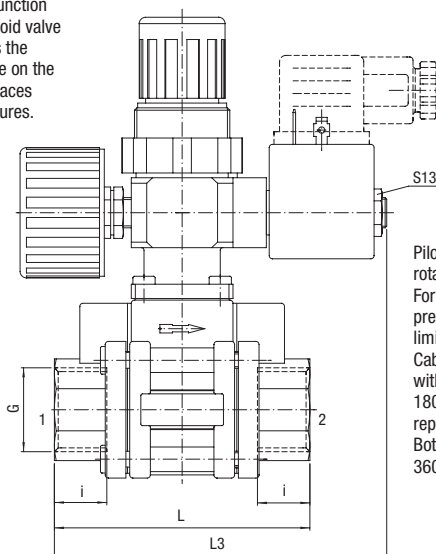
With respect to electrical function the valve corresponds to a 2/2-way solenoid valve function "A".

In operational position - magnetic system under power - the membrane is only held in "open" position by the medium until the outlet-port pressure reaches the value set on the pressure regulator. This can be set using the lockable adjuster.

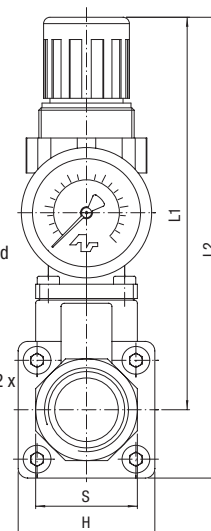
The pressure should preferably be measured as near to the load as possible. In case of need a pressure gauge can also be attached to the G 1/8 connection on the pilot pressure regulator, as shown in the dimension illustration. For dynamic loads or neutral fluids, a version without secondary-discharge can be supplied, as listed in the options.

Illustration


In addition to the function of a 2/2-way solenoid valve the valve regulates the secondary pressure on the set value. This replaces two traditional textures.



Pilot unit can be assembled rotated by 4x90°. For assembly as shown, pressure gauge is limited to NG 40. Cable socket adaptable with solenoid coil E22 by 2 x 180°, with E30 by 4 x 90° repositionable. Both solenoid coils 360° turnable.


Dimensions

DN	G	L	I	L1	L2	L3	H	S
15	G 1/2	68,4	13,5	123,5	145	98,7	43	27
20	G 3/4	80	16,5	126	146,5	104	43	32
25	G 1	95	19	132	161,5	112	59	41
32	G 1 1/4	112	21,5	132	161,5	120	59	50
40	G 1 1/2	132	21	144,5	188	130	87	55
50	G 2	160	26	144,5	188	144	87	70

Accessories

Illustration	Suitable for valves	Type	Order number	Price
	G 1/2 + G 3/4 DN 15 and DN 20	ZGV-10normal D2normal 52	616252	o. r.
	G 1 + G 1 1/4 DN 25 and DN 32	ZGV-10normal D32-62	616262	o. r.