

Function

Price group **53**

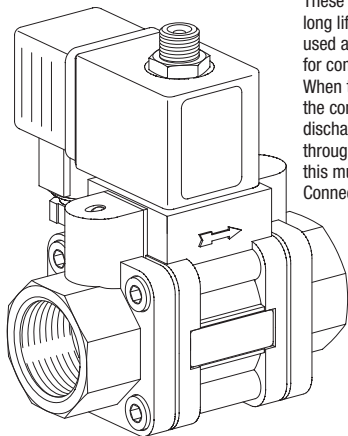
Function "B" normally open

low noise and impact-free closing, for neutral, gaseous or fluids

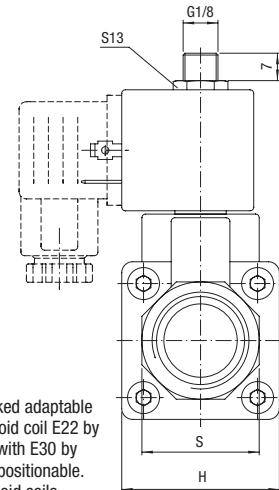
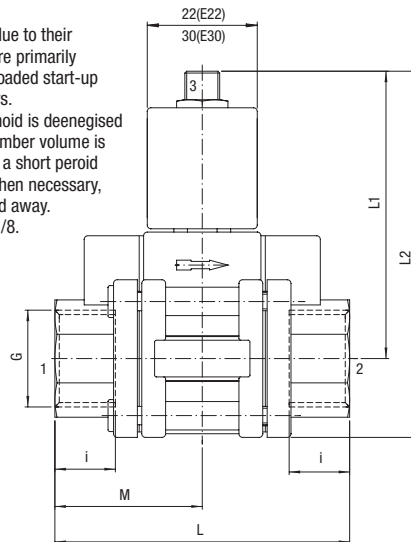
Brass

Operating position	Description	Function
	<p>In normal position - magnetic system without power - its resting seat is closed and its operational seat open. Thereby the control chamber is discharged over "3" and the membrane held in the "open" position by the flow medium. A minimum pressure difference is required for this operation.</p> <p>In operational position - magnetic system under power - its seat is open and its operational seat closed. Pressure builds up in the control chamber, which due to the larger effective membrane surface holds the membrane in "closed" position.</p>	

Illustration



These valves, due to their long lifetime, are primarily used as an unloaded start-up for compressors. When the solenoid is deenergised the control chamber volume is discharged for a short period through "3". When necessary, this must be led away. Connection G 1/8.



Cable socket adaptable with solenoid coil E22 by 2 x 180°, with E30 by 4 x 90° repositionable. Both solenoid coils 360° turnable.

Dimensions

DN	G	L	I	M	L1	L2	H	S
15	G 1/2	68.4	13.5	34.2	78	99.5	43	27
20	G 3/4	80.4	15.5	40.2	78	99.5	43	32
25	G 1	94	19	47	86,5	116	59	41
32	G 1 1/4	112	19	56	86	115.5	59	50
40	G 1 1/2	132	21	66	99.5	143	87	55
50	G 2	160	26	80	99	142.5	87	70

Mounting Accessories

Illustration	Suitable for valves	Type	Order number	Price
	<p>G 1/2 + G 3/4 DN 15 and DN 20</p>	<p>ZGV-10normal D2normal 52</p>	<p>616252</p>	<p>o. r.</p>
	<p>G 1 + G 1 1/4 DN 25 and DN 32</p>	<p>ZGV-10normal D32-62</p>	<p>616262</p>	<p>o. r.</p>