

3/2-Way Solenoid Valve - Type EAV Series 200

 Price group **51**

"C" in 0-position "1" closed, "2" after "3" discharged

Brass

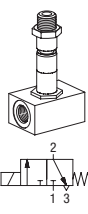
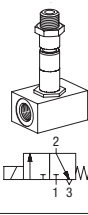
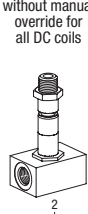
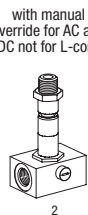
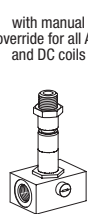
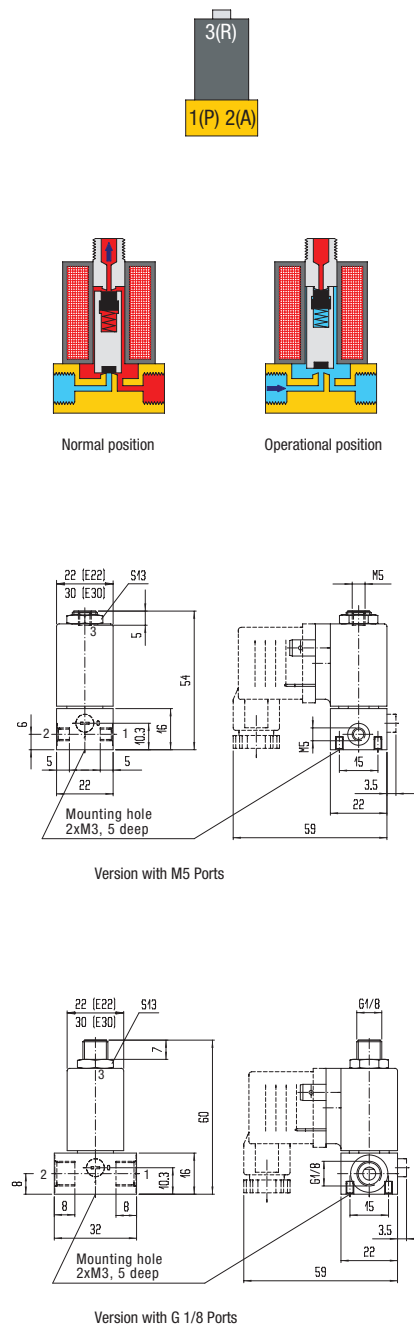
Version	DN	Kv-value Water [m ³ /h]	Qn-value air [l/min]	G	PN	Sealing material	Type	Order number	Price
without manual override for AC and DC not for L-coils 	1.2	1 > 2 0.05	1 > 2 50	M 5	12.5	NBR	EAV-211-C12-M05B-00	606001	o. r.
				M 5	12.5	FKM	EAV-211-C12-M05F-00	606002	o. r.
		2 > 3 0.06	2 > 3 65	G 1/8	12.5	NBR	EAV-211-C12-1/8B-00	606003	o. r.
				G 1/8	12.5	FKM	EAV-211-C12-1/8F-00	606004	o. r.
	1.5	1 > 2 0.06	1 > 2 68	M 5	10	NBR	EAV-211-C15-M05B-00	606007	o. r.
				M 5	10	FKM	EAV-211-C15-M05F-00	606008	o. r.
		2 > 3 0.10	2 > 3 115	G 1/8	10	NBR	EAV-211-C15-1/8B-00	606009	o. r.
				G 1/8	10	FKM	EAV-211-C15-1/8F-00	606010	o. r.
1.8	1 > 2 0.11	1 > 2 120	M 5	8	NBR	EAV-211-C18-M05B-00	606013	o. r.	
			M 5	8	FKM	EAV-211-C18-M05F-00	606014	o. r.	
	2 > 3 0.10	2 > 3 115	G 1/8	8	NBR	EAV-211-C18-1/8B-00	606015	o. r.	
			G 1/8	8	FKM	EAV-211-C18-1/8F-00	606016	o. r.	
without manual override for all AC and DC coils 	1.2	1 > 2 0.05	1 > 2 50	M 5	10	NBR	EAV-215-C12-M05B-00	606051	o. r.
				M 5	10	FKM	EAV-215-C12-M05F-00	606052	o. r.
		2 > 3 0.06	2 > 3 65	G 1/8	10	NBR	EAV-215-C12-1/8B-00	606053	o. r.
				G 1/8	10	FKM	EAV-215-C12-1/8F-00	606054	o. r.
	1.5	1 > 2 0.06	1 > 2 68	M 5	8	NBR	EAV-215-C15-M05B-00	606057	o. r.
				M 5	8	FKM	EAV-215-C15-M05F-00	606058	o. r.
		2 > 3 0.10	2 > 3 115	G 1/8	8	NBR	EAV-215-C15-1/8B-00	606059	o. r.
				G 1/8	8	FKM	EAV-215-C15-1/8F-00	606060	o. r.
	1.8	1 > 2 0.11	1 > 2 120	M 5	12.5	NBR	EAV-213-C12-M05B-00	606026	o. r.
				M 5	12.5	FKM	EAV-213-C12-M05F-00	606027	o. r.
		2 > 3 0.06	2 > 3 65	G 1/8	12.5	NBR	EAV-213-C12-1/8B-00	606028	o. r.
				G 1/8	12.5	FKM	EAV-213-C12-1/8F-00	606029	o. r.
1.5	1 > 2 0.06	1 > 2 68	M 5	10	NBR	EAV-213-C15-M05B-00	606032	o. r.	
			M 5	10	FKM	EAV-213-C15-M05F-00	606033	o. r.	
	2 > 3 0.10	2 > 3 115	G 1/8	10	NBR	EAV-213-C15-1/8B-00	606034	o. r.	
			G 1/8	10	FKM	EAV-213-C15-1/8F-00	606035	o. r.	
1.8	1 > 2 0.11	1 > 2 120	M 5	8	NBR	EAV-213-C18-M05B-00	606038	o. r.	
			M 5	8	FKM	EAV-213-C18-M05F-00	606039	o. r.	
	2 > 3 0.10	2 > 3 115	G 1/8	8	NBR	EAV-213-C18-1/8B-00	606040	o. r.	
			G 1/8	8	FKM	EAV-213-C18-1/8F-00	606041	o. r.	
without manual override for all DC coils 	1.2	1 > 2 0.05	1 > 2 50	M 5	10	NBR	EAV-217-C12-M05B-00	606076	o. r.
				M 5	10	FKM	EAV-217-C12-M05F-00	606077	o. r.
		2 > 3 0.06	2 > 3 65	G 1/8	10	NBR	EAV-217-C12-1/8B-00	606078	o. r.
				G 1/8	10	FKM	EAV-217-C12-1/8F-00	606079	o. r.
	1.5	1 > 2 0.06	1 > 2 68	M 5	10	NBR	EAV-217-C15-M05B-00	606082	o. r.
				M 5	8	FKM	EAV-217-C15-M05F-00	606083	o. r.
		2 > 3 0.10	2 > 3 115	G 1/8	8	NBR	EAV-217-C15-1/8B-00	606084	o. r.
				G 1/8	8	FKM	EAV-217-C15-1/8F-00	606085	o. r.
with manual override for AC and DC not for L-coils 	1.2	1 > 2 0.05	1 > 2 50	M 5	12.5	NBR	EAV-221-C12-M05B-00	606151	o. r.
				M 5	12.5	FKM	EAV-221-C12-M05F-00	606152	o. r.
		2 > 3 0.06	2 > 3 65	G 1/8	12.5	NBR	EAV-221-C12-1/8B-00	606153	o. r.
				G 1/8	12.5	FKM	EAV-221-C12-1/8F-00	606154	o. r.
	1.5	1 > 2 0.06	1 > 2 68	M 5	10	NBR	EAV-221-C15-M05B-00	606157	o. r.
				M 5	10	FKM	EAV-221-C15-M05F-00	606158	o. r.
		2 > 3 0.10	2 > 3 115	G 1/8	10	NBR	EAV-221-C15-1/8B-00	606159	o. r.
				G 1/8	10	FKM	EAV-221-C15-1/8F-00	606160	o. r.
1.8	1 > 2 0.11	1 > 2 120	M 5	8	NBR	EAV-221-C18-M05B-00	606163	o. r.	
			M 5	8	FKM	EAV-221-C18-M05F-00	606164	o. r.	
	2 > 3 0.10	2 > 3 115	G 1/8	8	NBR	EAV-221-C18-1/8B-00	606165	o. r.	
			G 1/8	8	FKM	EAV-221-C18-1/8F-00	606166	o. r.	
with manual override for all AC and DC coils 	1.2	1 > 2 0.05	1 > 2 50	M 5	10	NBR	EAV-225-C12-M05B-00	606201	o. r.
				M 5	10	FKM	EAV-225-C12-M05F-00	606202	o. r.
		2 > 3 0.06	2 > 3 65	G 1/8	10	NBR	EAV-225-C12-1/8B-00	606203	o. r.
				G 1/8	10	FKM	EAV-225-C12-1/8F-00	606204	o. r.
	1.5	1 > 2 0.06	1 > 2 68	M 5	8	NBR	EAV-225-C15-M05B-00	606207	o. r.
				M 5	8	FKM	EAV-225-C15-M05F-00	606208	o. r.
		2 > 3 0.10	2 > 3 115	G 1/8	8	NBR	EAV-225-C15-1/8B-00	606209	o. r.
				G 1/8	8	FKM	EAV-225-C15-1/8F-00	606210	o. r.

Illustration


Permitted Operating Pressure for 3/2-Way Solenoid Valve - Type EAV Series 200

"C" in 0-position "1" closed, "2" after "3" discharged

DN	Type	PN	Combinable solenoid coils			Permitted operating pressure [bar] at ambient temperature +60 °C																
			Type	Nominal power P ₂₀			AC 50 Hz 90 %U _N Medium temperature			AC 60 Hz 90 %U _N Medium temperature			DC 90 %U _N Medium temperature			DC 90 %U _N Medium temperature			DC 100 %U _N Medium temperature			
				AC 50 Hz [VA]	AC 60 Hz [VA]	DC [W]	60 °C	90 °C	130 °C	60 °C	90 °C	130 °C	60 °C	90 °C	130 °C	60 °C	90 °C	130 °C	60 °C	90 °C	130 °C	
1.2	EAV-211-C12..	12.5	E22...M.	5.5	5	5	12.5	12.5	12.5	12.5	12.5	12.5	12.5	12.5	12.5	12.5	12.5	12.5	12.5	12.5	12.5	
			E22...H.	-	-	8	-	-	-	-	-	-	-	-	-	-	-	-	-	-	-	-
			E30...P.	12	10.5	8	12.5	12.5	12.5	12.5	12.5	12.5	12.5	12.5	12.5	12.5	12.5	12.5	12.5	12.5	12.5	12.5
	EAV-215-C12..	10	E22...L.	3.5	on req.	2.5	10	-	-	10	-	-	10	10**	10**	10**	10**	10**	10	10**	10**	
			E22...M.	5.5	5	5	10	10	10	10	10	10	10	10	10	10	10	10	10	10	10	
			E22...H.	-	-	8	-	-	-	-	-	-	-	-	-	-	-	-	-	-	-	
			E30...P.	12	10.5	8	10	10	10	10	10	10	10	10	10	10	10	10	10	10	10	
	EAV-213-C12..	12.5	E22...M.	-	-	5	-	-	-	-	-	-	12.5	12.5	12.5	12.5	12.5	12.5	12.5	12.5	12.5	
			E22...H.	-	-	8	-	-	-	-	-	-	-	12.5	12.5	12.5	12.5	12.5	12.5	12.5	12.5	
			E30...P.	-	-	8	-	-	-	-	-	-	-	12.5	12.5	12.5	12.5	12.5	12.5	12.5	12.5	
	EAV-217-C12..	10	E22...L.	-	-	2.5	-	-	-	-	-	-	10	10**	10**	10**	10**	10**	10	10**	10**	
			E22...M.	-	-	5	-	-	-	-	-	-	10	10	10	10	10	10	10	10	10	
			E22...H.	-	-	8	-	-	-	-	-	-	10	10	10	10	10	10	10	10	10	
			E30...P.	-	-	8	-	-	-	-	-	-	10	10	10	10	10	10	10	10	10	
	EAV-221-C12..	12.5	E22...M.	5.5	5	5	12.5	*	*	12.5	*	*	12.5	*	*	12.5	*	*	12.5	*	*	
			E22...H.	-	-	8	-	-	-	-	-	-	12.5	*	*	12.5	*	*	12.5	*	*	
			E30...P.	12	10.5	8	12.5	*	*	12.5	*	*	12.5	*	*	12.5	*	*	12.5	*	*	
	EAV-225-C12..	10	E22...L.	3.5	on req.	2.5	10	-	-	10	-	-	10	*	*	10**	*	*	10	*	*	
			E22...M.	5.5	5	5	10	*	*	10	*	*	10	*	*	10	*	*	10	*	*	
			E22...H.	-	-	8	-	-	-	-	-	-	10	*	*	10	*	*	10	*	*	
			E30...P.	12	10.5	8	10	*	*	10	*	*	10	*	*	10	*	*	10	*	*	
	1.5	EAV-211-C15..	10	E22...M.	5.5	5	5	10	10	10	10	10	10	10	10	10	10	10	10	10	10	
				E22...H.	-	-	8	-	-	-	-	-	-	10	10	10	10	10	10	10	10	
				E30...P.	12	10.5	8	10	10	10	10	10	10	10	10	10	10	10	10	10	10	
EAV-215-C15..		8	E22...L.	3.5	on req.	2.5	8	8	-	-	-	-	8	8	8**	8	8**	8**	8	8**	8**	
			E22...M.	5.5	5	5	8	8	8	8	8	8	8	8	8	8	8	8	8	8		
			E22...H.	-	-	8	-	-	-	-	-	-	8	8	8	8	8	8	8	8		
			E30...P.	12	10.5	8	8	8	8	8	8	8	8	8	8	8	8	8	8	8		
EAV-213-C15..		10	E22...M.	-	-	5	-	-	-	-	-	10	10	10	10	10	10	10	10	10		
			E22...H.	-	-	8	-	-	-	-	-	10	10	10	10	10	10	10	10	10		
	E30...P.		-	-	8	-	-	-	-	-	10	10	10	10	10	10	10	10	10			
EAV-217-C15..	8	E22...L.	-	-	2.5	-	-	-	-	-	8	8**	8**	8**	8**	8**	8	8**	8**			
		E22...M.	-	-	5	-	-	-	-	-	8	8	8	8	8	8	8	8				
		E22...H.	-	-	8	-	-	-	-	-	8	8	8	8	8	8	8	8				
		E30...P.	-	-	8	-	-	-	-	-	8	8	8	8	8	8	8	8				
EAV-221-C15..	10	E22...M.	5.5	5	5	10	*	*	10	*	*	10	*	*	10	*	*	10	*			
		E22...H.	-	-	8	-	-	-	-	-	10	*	*	10	*	*	10	*				
		E30...P.	12	10.5	8	10	*	*	10	*	*	10	*	*	10	*	*	10	*			
EAV-225-C15..	8	E22...L.	3.5	on req.	2.5	8	*	*	-	*	*	8	*	*	8	*	*	8	*			
		E22...M.	5.5	5	5	8	*	*	8	*	*	8	*	*	8	*	*	8	*			
		E22...H.	-	-	8	-	-	-	-	-	8	*	*	8	*	*	8	*				
		E30...P.	12	10.5	8	8	*	*	8	*	*	8	*	*	8	*	*	8	*			
1.8	EAV-211-C18..	8	E22...M.	5.5	5	5	8	8	8	8	8	8	8	8	8	8	8	8	8			
			E22...H.	-	-	8	-	-	-	-	-	8	8	8	8	8	8	8	8			
			E30...P.	12	10.5	8	8	8	8	8	8	8	8	8	8	8	8	8	8			
	EAV-213-C18..	10	E22...M.	-	-	5	-	-	-	-	-	8	8	8	8	8	8	8	8			
			E22...H.	-	-	8	-	-	-	-	-	8	8	8	8	8	8	8	8			
			E30...P.	-	-	8	-	-	-	-	-	8	8	8	8	8	8	8	8			
	EAV-221-C18..	10	E22...M.	5.5	5	5	8	*	*	8	*	*	8	*	*	8	*	*	8	*		
			E22...H.	-	-	8	-	-	-	-	-	8	*	*	8	*	*	8	*			
			E30...P.	12	10.5	8	8	*	*	8	*	*	8	*	*	8	*	*	8	*		

* Solenoid valves with manual override can only be used at medium temperatures up to max. 60 °C. ** Minimum pressure of 2 bar required