

2/2-Way Solenoid Valve - Type EAV Series 200

 Price group **51** "B" normally open Permitted operating pressure table below **Brass**

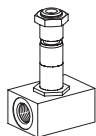
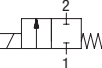
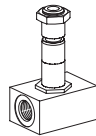
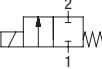
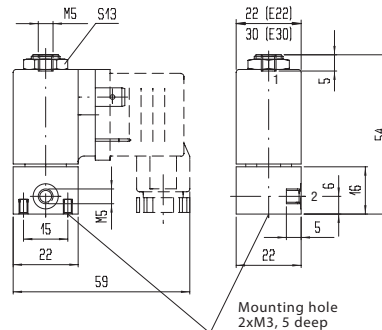
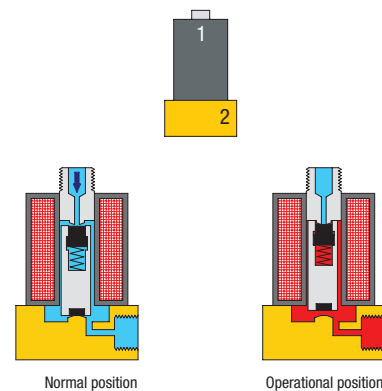
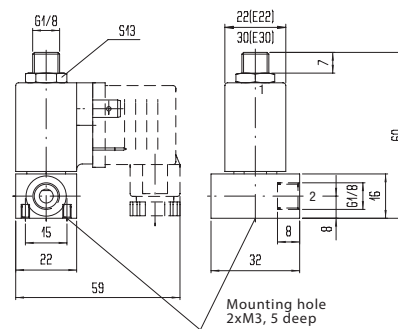
Version	DN	Kv-value water [m³/h]	Qn-value air [l/min]	G	PN	Sealing material	Type	Order number	Price
without manual override for AC and DC not for L-coils  	1.2	0.05	48	M5	16	NBR	EAV-211-B12-M05B-00	605401	o. r.
	1.2	0.05	48	M5	16	FKM	EAV-211-B12-M05F-00	605402	o. r.
	1.2	0.05	48	G 1/8	16	NBR	EAV-211-B12-1/8B-00	605403	o. r.
	1.2	0.05	48	G 1/8	16	FKM	EAV-211-B12-1/8F-00	605404	o. r.
	1.5	0.06	65	M5	10	NBR	EAV-211-B15-M05B-00	605407	o. r.
	1.5	0.06	65	M5	10	FKM	EAV-211-B15-M05F-00	605408	o. r.
	1.5	0.06	65	G 1/8	10	NBR	EAV-211-B15-1/8B-00	605409	o. r.
	1.5	0.06	65	G 1/8	10	FKM	EAV-211-B15-1/8F-00	605410	o. r.
	1.8	0.1	110	M5	8	NBR	EAV-211-B18-M05B-00	605413	o. r.
	1.8	0.1	110	M5	8	FKM	EAV-211-B18-M05F-00	605414	o. r.
	1.8	0.1	110	G 1/8	8	NBR	EAV-211-B18-1/8B-00	605415	o. r.
	1.8	0.1	110	G 1/8	8	FKM	EAV-211-B18-1/8F-00	605416	o. r.
without manual override for DC not for L-coils  	1.2	0.05	48	M5	16	NBR	EAV-213-B12-M05B-00	605426	o. r.
	1.2	0.05	48	M5	16	FKM	EAV-213-B12-M05F-00	605427	o. r.
	1.2	0.05	48	G 1/8	16	NBR	EAV-213-B12-1/8B-00	605428	o. r.
	1.2	0.05	48	G 1/8	16	FKM	EAV-213-B12-1/8F-00	605429	o. r.
	1.5	0.06	65	M5	10	NBR	EAV-213-B15-M05B-00	605432	o. r.
	1.5	0.06	65	M5	10	FKM	EAV-213-B15-M05F-00	605433	o. r.
	1.5	0.06	65	G 1/8	10	NBR	EAV-213-B15-1/8B-00	605434	o. r.
	1.5	0.06	65	G 1/8	10	FKM	EAV-213-B15-1/8F-00	605435	o. r.
	1.8	0.1	110	M5	8	NBR	EAV-213-B18-M05B-00	605438	o. r.
	1.8	0.1	110	M5	8	FKM	EAV-213-B18-M05F-00	605439	o. r.
	1.8	0.1	110	G 1/8	8	NBR	EAV-213-B18-1/8B-00	605440	o. r.
	1.8	0.1	110	G 1/8	8	FKM	EAV-213-B18-1/8F-00	605441	o. r.

Illustration

Version with M 5 Ports

Version with G 1/8 Ports

