

High-Flow VANGUARD Externally Piloted Regulators

R200 Models Port Sizes: 1-1/2, 2



Model Shown: R200-12G

- ◆ Inline mounting.
- ◆ Piston-type design.
- ◆ Self-relieving.
- ◆ Pressure gauge.
- ◆ NPTF port threads; optional SAE or BSPP threads.

Note: Pilot (control) regulators (order separately).

- ◆ General purpose applications order R56M-2, R60-2, R67-2, R100-2, or R380-3
- ◆ Precision applications order IR100-2, R57M-2, IR380-3 or ER valve

SPECIFICATIONS

Ambient/Media Temperature:

40° to 175°F (4° to 79°C).

Body and Dome: Aluminum.

Fluid Media: Compressed air.

Inlet Pressure: 300 psig (21 bar) maximum.

Outlet Pressure: 0 to 200 psig (0 to 14 bar).

NOTE: Outlet pressure depends on the selection of the control regulator.

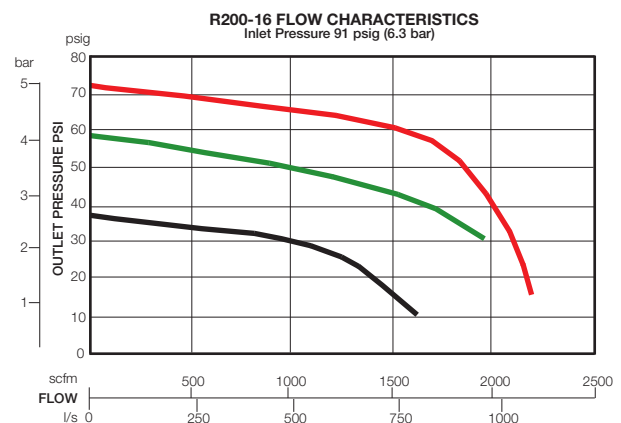
Pilot Ports: 1/4 NPTF.

Pressure Gauge: 0 to 200 psig (14 bar); 1/4 NPT gauge ports front and rear.

Seals: Nitrile; optional Viton seals.

Valve: Brass.

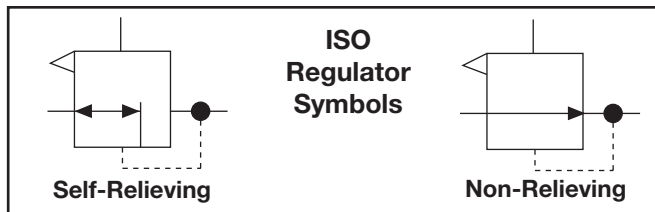
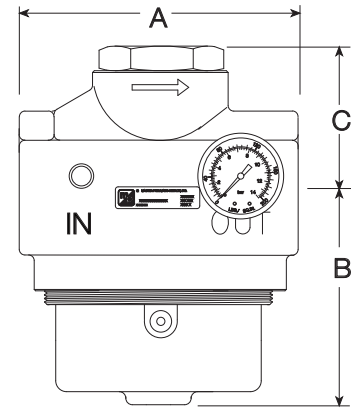
Valve Cap: Aluminum.



DIMENSIONS inches (mm)

				Weight †
A	B	C	Depth †	lb (kg)
6.4 (162)	5.0 (127)	3.0 (76)	5.8 (147)	8.94 (4.06)

† Less gauge.



ORDERING INFORMATION

Change the letters in the sample model number below to specify the regulator you want.

NOTE: Order a control regulator such as R55M, R56M, R57M, R100, R380, IR100, or IR130 separately.

R200 - 12 Y G W

REGULATOR TYPE

- Standard Regulator 0
- Standard Regulator with 2
- internal bias spring and gauge port plugged.

PORT SIZE

- 1-1/2 NPTF 12
- 2 NPTF 16
- 1-7/8-12 UNF SAE S24
- 2-1/2-12 UNF SAE S32

OPTIONS (*More than one option can be chosen*)

- None Leave Blank
- Non-relieving A
- Constant bleed Q
- Viton seals V

PORT TYPE

- NPTF threads Leave Blank
- BSPP threads W

OPTION

- None Leave Blank
- 0-200 PSI Gauge G