

# SENTRY Modular General Purpose Regulators

# R10M, R11M Models Port Sizes: 1/8, 1/4; Tube Fittings



Model Shown: R10M-2G

- ◆ Modular assembly and mounting.
- ◆ Threaded ports or quick-connect fittings for tubing up to 10 mm in diameter.
- ◆ Piston-type design (R10M models) or diaphragm-type (R11M models).
- ◆ Self-relieving; non-relieving optional.
- ◆ Pressure gauge.
- ◆ **NPTF** port threads; optional **BSPP** threads or fittings for tubing up to 10 mm.

## SPECIFICATIONS

### Ambient/Media Temperature:

40° to 125°F (4° to 52°C).

**Body:** Acetal.

**Dome and Knob:** Acetal

**Fluid Media:** Compressed air.

**Inlet Pressure:** 150 psig (10 bar) maximum.

**Outlet Pressure:** Adjustable up to 100 psig (7 bar).

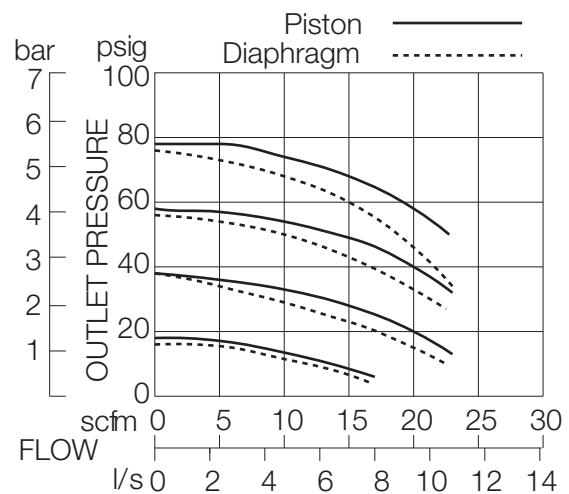
**Pressure Gauge:** 0 to 160 psig (11 bar); 1/8 gauge ports front and rear.

**Panel Mounting:** 1-3/16 inch (30 mm) hole required.

**Seals:** Nitrile.

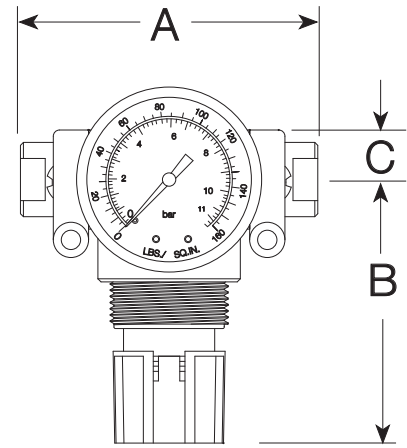
## FLOW CHART

Inlet Pressure: 100 psig (7 bar)



**DIMENSIONS** inches (mm)

Ports	A	B	C	Depth †	Weight † lb (kg)
No Port	1.7 (43)	2.6 (67)	0.5 (13)	1.8 (45)	0.21 (0.09)
1/8, 1/4	3.0 (76)	2.6 (67)	0.5 (13)	1.8 (45)	0.43 (0.19)
<b>Models below have quick-connect fittings for tubing.</b>					
1/4	3.4 (86)	2.6 (67)	0.5 (13)	1.8 (45)	0.21 (0.09)
3/8	3.9 (99)	2.6 (67)	0.5 (13)	1.8 (45)	0.21 (0.09)
4 mm	3.4 (86)	2.6 (67)	0.5 (13)	1.8 (45)	0.41 (0.18)
6 mm	3.4 (86)	2.6 (67)	0.5 (13)	1.8 (45)	0.41 (0.18)
8 mm	3.1 (79)	2.6 (67)	0.5 (13)	1.8 (45)	0.41 (0.18)
10 mm	3.9 (99)	2.6 (67)	0.5 (13)	1.8 (45)	0.41 (0.18)



† Less gauge.



**ORDERING INFORMATION**

Change the letters in the sample model number below to specify the regulator you want.

**R10M P - 2 X Y G W**

**REGULATOR TYPE**

Piston type .....R10M  
Diaphragm type.....R11M

**MOUNTING HOLE LOCATION**

Bottom mount (Standard) ..... Leave Blank  
Top mount ..... P

**INLET PORT SIZE**

No Inlet and Outlet ports.... Leave blank

**Threaded:**

1/8 NPTF ..... -1  
1/4 NPTF ..... -2

**Fittings for Tubing:**

1/4 ..... -04  
3/8 ..... -06  
4 mm ..... -M4  
6 mm ..... -M6  
8 mm ..... -M8  
10 mm ..... -M10

**OUTLET PORT SIZE**

Same as inlet port ..... Leave Blank

**Threaded:**

1/8 NPTF ..... 1  
1/4 NPTF ..... 2

**Fittings for Tubing:**

1/4 ..... 04  
3/8 ..... 06  
4 mm ..... M4  
6 mm ..... M6  
8 mm ..... M8  
10 mm ..... M10

**MOUNTING BRACKETS**  
See page 320.

**PORT TYPE**

As specified in **INLET PORT**... Leave Blank  
BSP threads on both ports ..... W

**OPTIONS** (More than one option can be chosen. Add in alphabetical order)

Delete gauge ..... Leave Blank  
0-160 PSI Gauge ..... G  
Plastic mounting nut ..... P  
Metal mounting nut..... PN  
Hex plastic mounting nut ..... PE

**OPTIONS** (More than one option can be chosen. Add in alphabetical order)

None ..... Leave Blank  
Non-relieving ..... A  
Springs: (0-100 psig standard)

For optimum performance operating pressure should fall approximately in the middle of the spring range.

0-125 psig (0-8.6 bar) ..... H  
0-50 psig (0-3.4 bar) ..... L  
0-8 psig (0-0.6 bar) ..... L8  
0-15 psig (0-1 bar) ..... L15  
0-30 psig (0-2.1 bar) ..... L30

Tamper-resistant spinning ..... MV(\*) knob (psig preset)  
Viton seals..... V

\*Insert maximum limited pressure.

SENTRY Modular Regulator R10M and R11M Series