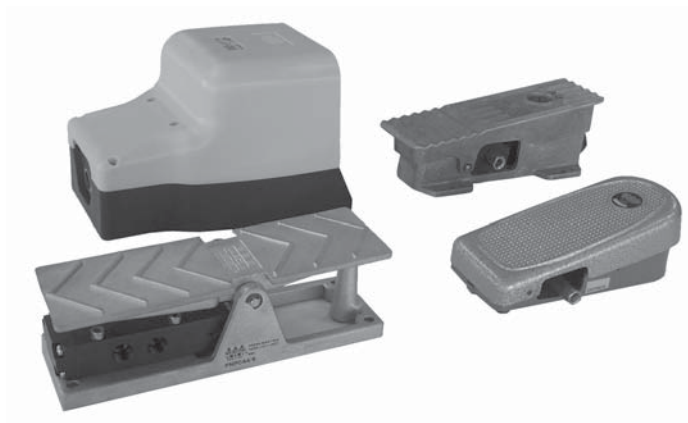


DESCRIPTION

Pedal actuated valves series "PC" are produced in the 3/2 and 5/2 pneumatic functions, with or without protection, and they are based on direct acting poppet valves and direct acting or pilot assisted spool valves in the sizes G 1/8 and G 1/4.

The catch on the pedal allows obtaining the bistable pneumatic functions, while the safety device avoids the accidental actuation of the same pedal.



3

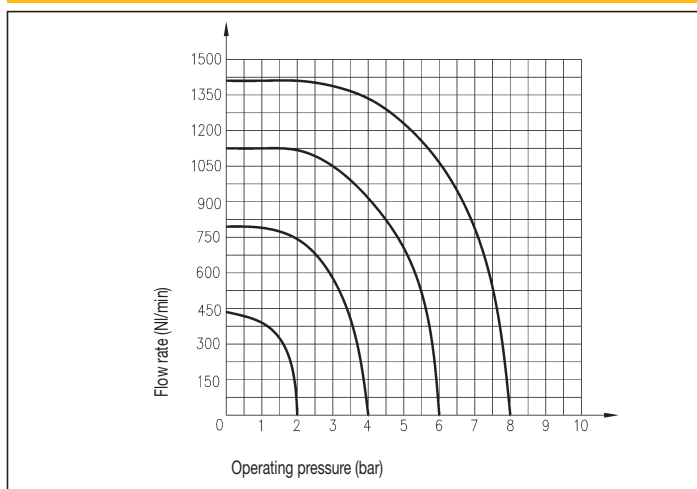
TECHNICAL DATA

Operating pressure	0 ÷ 10 bar (with direct acting valves) 2,5 ÷ 10 bar (with pilot assisted valves)
Working temperature	0 ÷ +50 °C (-10 °C with dry air)
Fluid	Filtered, unlubricated or continuous lubricated compressed air
Port size	G 1/8 - G 1/4
Nominal diameter	G 1/8 = 6 mm G 1/4 = 8,5 mm

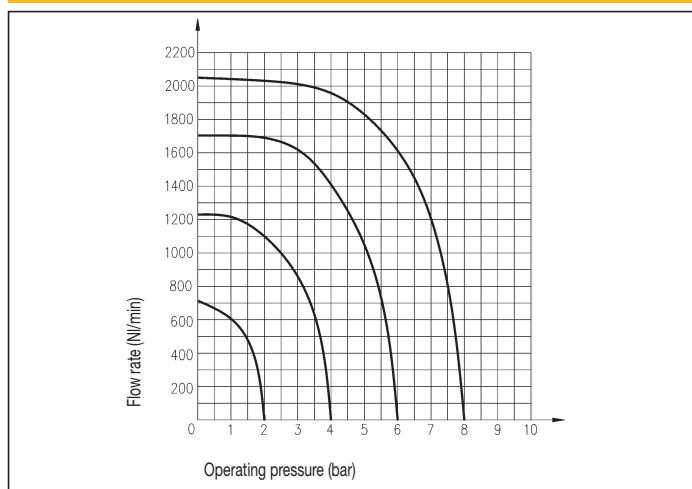
MATERIALS

Control rod	Hardened and nickel - plated steel – nickel - plated brass
Body	Anodized aluminium alloy
Spool	Aluminium alloy
Springs	Stainless steel
Seals	NBR rubber
Protection cover	Die - cast aluminium - Plastic material
Safety device	Plastic material
Catch	Plastic material
Control lever	Press-forged aluminium - Plastic material

FLOW CHART - PC G 1/8 - 5/2



FLOW CHART - PC G 1/4 - 5/2



PEDAL ACTUATED VALVES G 1/8 - G 1/4

Symbol	Function	Protection	Actuation	Flow rate at 6 bar $\Delta P = 1 \text{ bar (NI/min)}$	Weight (g)	Port size	TYPE
	3/2 N.O. monostable	-	Direct acting	740	565	G 1/8	AP8
				950	700	G 1/4	AP4
	3/2 N.O. bistable	-	Direct acting	740	1020	G 1/8	AP8F
	3/2 N.C. monostable	-	Direct acting	815	570	G 1/8	CP8
				950	700	G 1/4	CP4
	3/2 N.C. monostable	-	Direct acting	815	570	G 1/8	FCP8*
	3/2 N.C. bistable	-	Direct acting	815	1015	G 1/8	CP8F
	5/2 monostable	-	Direct acting	650	915	G 1/8	CAP8
	5/2 bistable	-	Direct acting	650	1025	G 1/8	CAP8F
	3/2 N.O. monostable	-	Direct acting	900	970	G 1/4	PNP4
	3/2 N.C. monostable						
	3/2 N.O. bistable	-	Direct acting	900	970	G 1/4	PNP4/F
	3/2 N.C. bistable						
	5/2 monostable	-	Direct acting	900	1020	G 1/4	PNPCA4
	5/2 bistable	-	Direct acting	900	1020	G 1/4	PNPCA4/F
	5/3 monostable closed centre	-	Direct acting	780	1020	G 1/4	PNPCA4/S
	5/3 stable closed centre	-	Direct acting	780	1020	G 1/4	PNPCA4/SF
	5/3 monostable open centre	-	Direct acting	780	1020	G 1/4	PNPCA4/A
	5/3 stable open centre	-	Direct acting	780	1020	G 1/4	PNPCA4/AF
	5/2 with safety device monostable	Plastic	Pilot assisted	900	1350	G 1/4	PCA4

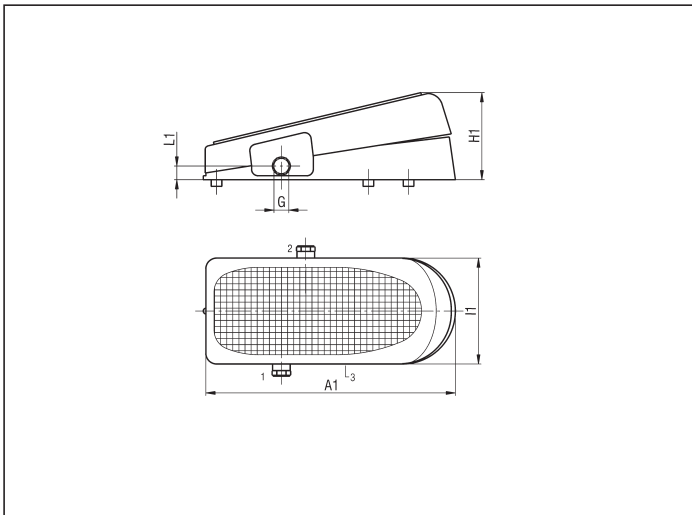
* THE WAYS AREN'T COMMUNICATING IN THE INTERMEDIATE PHASE OF ACTUATION

PEDAL ACTUATED VALVES G 1/8 - G 1/4

Symbol	Function	Protection	Actuation	Flow rate at 6 bar $\Delta P = 1 \text{ bar (Nl/min)}$	Weight (g)	Port size	TYPE
	5/2 with safety device bistable	Plastic	Pilot assisted	900	1350	G 1/4	PCA4/F
	5/2 with safety device monostable	Metallic	Pilot assisted	900	1750	G 1/4	PCA4M
	5/2 with safety device bistable	Metallic	Pilot assisted	900	1750	G 1/4	PCA4M/F

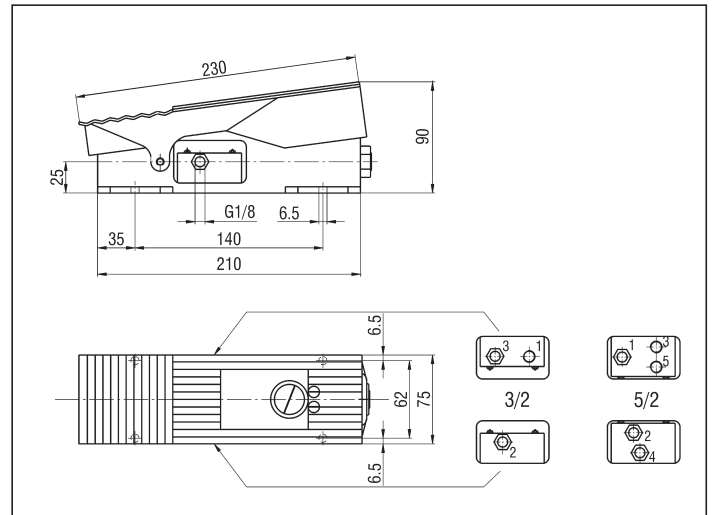
3

AP8 - AP4 - CP8 - CP4 - FCP8

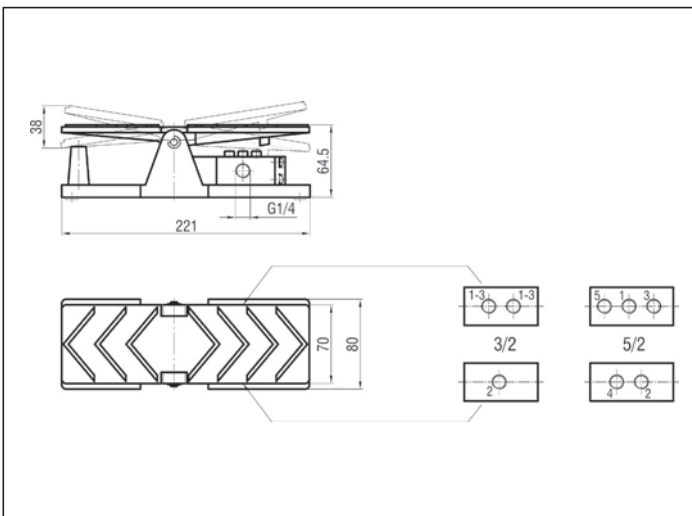


G	A1	H1	I1	L1
G 1/8	193	70	83	11
G 1/4	193	70	83	13

AP8F - CP8F - CAP8 - CAP8F



3/2 - 5/2 - 5/3 BALANCING WITHOUT PROTECTION - PNP



5 PORT PLASTIC AND METALLIC PROTECTION - PCA

