

DESCRIPTION

Valves for vacuum series "EV" are produced only in the 3/2 N.O. and 3/2 N.C. pneumatic functions with solenoid pilot assisted actuation.



TECHNICAL DATA

Maximum vacuum	755 mm Hg
Pneumatic piloting pressure	3 ÷ 10 bar
Working temperature	-20 ÷ +40°C
Fluid	Vacuum
Port size	G 1/8 - G 1/4 - G 3/8 - G 1/2 - G 3/4 - G 1 - G 1 1/2 - G 2
Coils	G 1/8: WE3A - see Coils on page 2.93 G 1/4 - G 3/8: USB - see chapter Coils on page 2.14 G 1/2 ÷ G 2: WE2A - see Coils on page 2.93
Electric connectors	USR102/N9 - see chapter Connectors on page 2.15 ULR1B - see chapter Connectors on page 2.15

MATERIALS

Bottoms	Anodized aluminium
Body	Anodized aluminium
Springs	Stainless steel
Sleeve	Nickel-plated brass
Core	Stainless steel
Piston	Aluminium
Diaphragm and plunger	Polyurethane

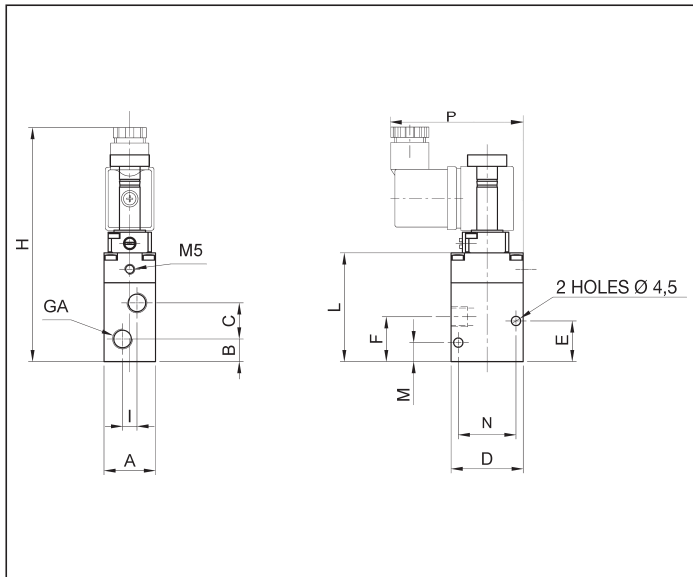
3 PORT SOLENOID PILOT ASSISTED ACTUATED VALVES

Symbol	Function	Controls		Response times at 6 bar (ms)		Maximum flow rate pump (m ³ /h)	Port size	Size	TYPE**
		Actuation	Return	Energized	De-energized				
	3/2 N.C. - 3/2 N.O.*	Solenoid pilot assisted	Mechanical spring	15	25	1,5	G 1/8	163	EV8
	3/2 N.C. - 3/2 N.O.*			18	28	4	G 1/4	462	EV4
	3/2 N.C. - 3/2 N.O.*			18	28	10	G 3/8	451	EV3
	3/2 N.C. - 3/2 N.O.*			20	40	20	G 1/2	780	EV2
	3/2 N.C. - 3/2 N.O.*			20	40	20	G 3/4	750	EV6
	3/2 N.C. - 3/2 N.O.*			20	45	90	G 1	1212	EV1
	3/2 N.C. - 3/2 N.O.*			60	40	180	G 1 1/2	3300	EV12
	3/2 N.C. - 3/2 N.O.*			80	50	250	G 2	9800	EV16

* FOR VERSION N.O. ARRANGE THE CONNECTIONS AS INDICATED: 1 = EXHAUST
2 = OUTPUT
3 = PUMP

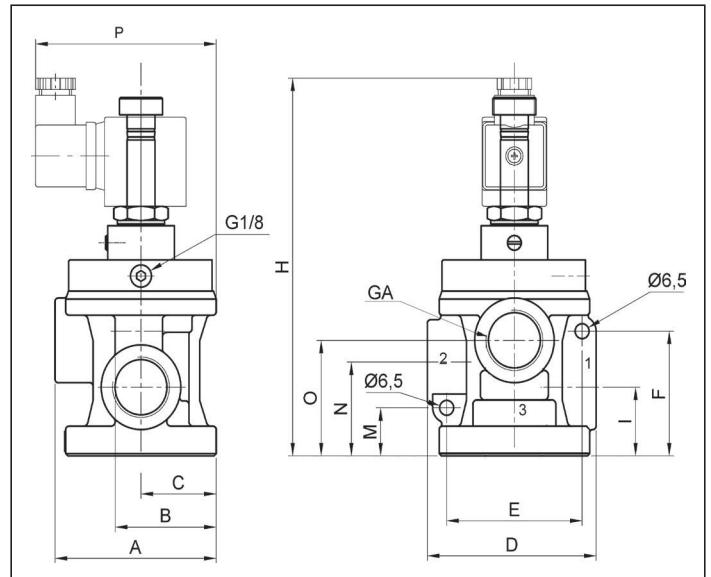
**THE TYPES OF THE SOLENOID VALVES DO NOT INCLUDE COILS

EV8 - EV4 - EV3



TYPE	A	B	C	D	E	F	GA	H	I	L	M	N	P
EV8	25	11	17.5	35	19.7	21.7	G 1/8	112.7	7	52.7	9.2	28	65
EV4	32	24	23.5	59	36	36	G 1/4	136	-	74.5	24.5	40	89
EV3	32	24	23.5	59	36	36	G 3/8	136	-	74.5	24.5	40	89

EV2 - EV6 - EV1 - EV12 - EV16



TYPE	A	B	C	D	E	F	GA	H	I	M	N	O	P
EV2	75	47	35	78.5	63	54.5	G 1/2	152	30	21	41	50.5	85.5
EV6	75	47	35	78.5	63	54.5	G 3/4	152	30	21	41	50.5	85.5
EV1	94	55	45	101	78	62.5	G 1	168	38	25.5	51	64	95
EV12	138	84	59	158	113	113	G 1½	240	68	34	68	96	-
EV16	183.5	113.5	78.5	210	150	152	G 2	310	92	48	92	129	-

2