

SERIES 350 Modular Lubricators



Model Shown: L350D-3C1

Available Color Caps

Yellow
(standard)



Red
(optional)



Blue
(optional)



Grey
(optional)



SPECIFICATIONS

Ambient/Media Temperature:

Plastic bowl: 40° to 125°F (4° to 52°C)
Metal bowl: 40° to 175°F (4° to 79°C)

Body: Zinc.

Bowl: 5.1-Ounce (151-ml) capacity polycarbonate plastic with nylon shatterguard; optional 6.0 ounce (177-ml) aluminum bowl with clear nylon sight glass. Optional 10-ounce (300-ml) extended aluminum bowl with clear nylon sight glass.

Cap Color: yellow, Optional red, blue and grey.

Fluid Media: Compressed air.

Inlet Pressure:

Plastic bowl: 150 psig (10 bar) maximum.
Metal bowl: 250 psig (17 bar) maximum.

Oil Adjustment: External; tamper resistant.

Seals: Nitrile.

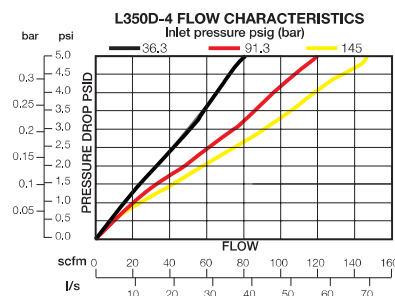
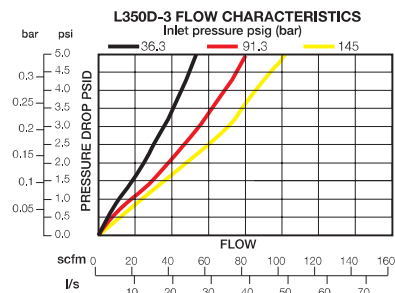
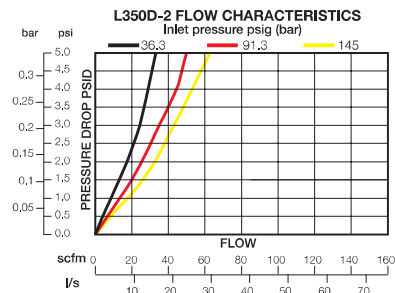
Sight-Feed Dome: Nylon.

L350D Models

Port Sizes: 1/4, 3/8, 1/2

- ◆ Modular or inline mounting
- ◆ Sight feed design; transparent dome to show oil delivery.
- ◆ External oil delivery adjusting knob, removable for tamper resistance.
- ◆ Polycarbonate bowl with shatterguard; optional metal bowl with nylon sight glass.
- ◆ Inlet pressure rated at 250 psig (17 bar) with metal bowls up to 175° F. (79° C.).
- ◆ Color caps available for visual management systems. (Blue, red, yellow and grey). Consult factory for custom colors.
- ◆ Front mounted modular clamping design with encapsulated screws.
- ◆ Compatible with modular 380 series of products.
- ◆ NPTF port threads; optional BSPP threads.

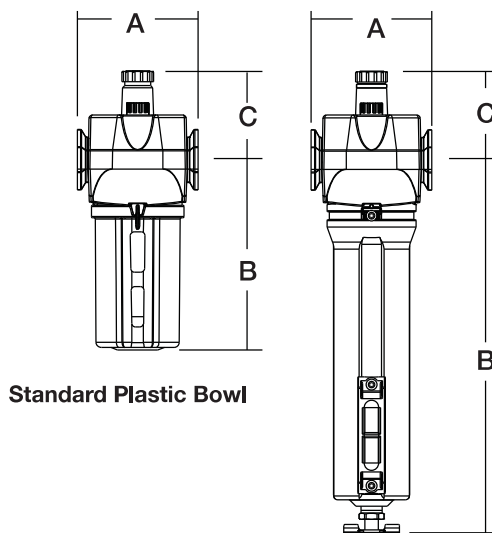
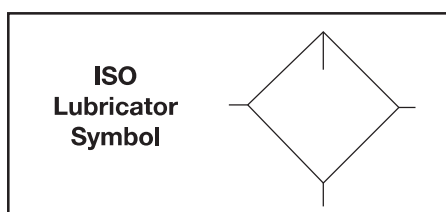
FLOW CHARTS



DIMENSIONS inches (mm)

| Bowl | A | B † | C | Depth | Weight lb (kg) |
|-------------|------------|--------------|-------------|-------------|-------------------|
| Std plastic | 3.0 (76.2) | 4.72 (119.9) | 2.21 (56.1) | 2.51 (63.8) | 1.30 (0.59) |
| Std metal | 3.0 (76.2) | 6.02 (152.9) | 2.21 (56.1) | 2.76 (70.1) | 1.42 (0.65) |
| Ext metal | 3.0 (76.2) | 9.37 (238) | 2.21 (56.1) | 2.76 (70.1) | 1.54 (0.70) |

† **Bowl (standard) removal clearance:** add 3.1 (79)
 † **Bowl (extended) removal clearance:** add 6.1 (155)



Extended Metal Bowl

ORDERING INFORMATION

Change the letters in the sample model number below to specify the lubricator you want.

BL 350D H - 3 C1 W

| | |
|---|--|
| <p>BOWL TYPE</p> <p>Plastic bowl L Metal bowl BL</p> <p>BOWL TYPE</p> <p>Standard length Leave Blank Extended bowl length H (Must be used with metal bowl option shown in BOWL and DRAIN TYPE)</p> <p>PORT TYPE</p> <p>1/4 NPTF 2 3/8 NPTF 3 1/2 NPTF 4</p> | <p>PORT TYPE</p> <p>NPTF threads Leave blank BSPP threads W</p> <p>OPTIONS</p> <p>Cap color</p> <p>MP yellow (standard) C1 Red C2 Mid blue C3 Grey Leave blank</p> |
|---|--|