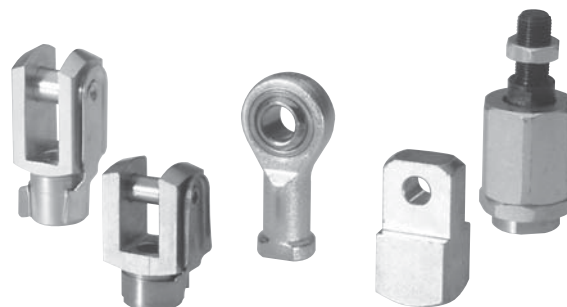
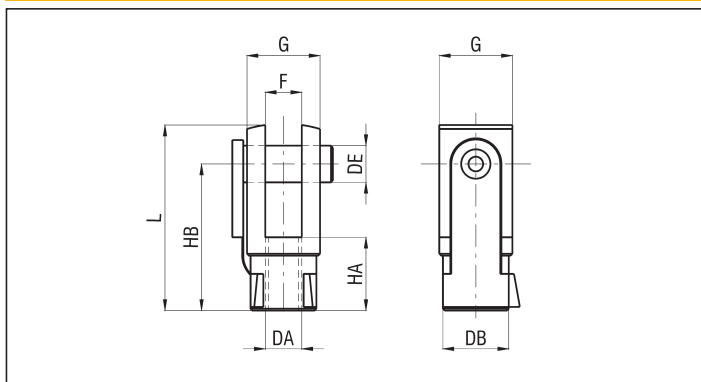


## DESCRIPTION

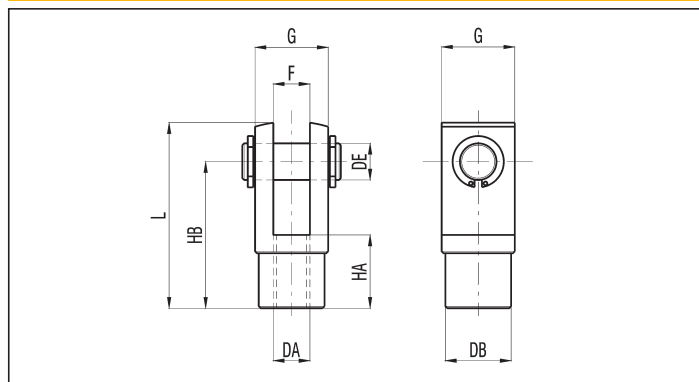
Piston rod attachments, produced according to standards that regulate cylinders manufacturing, allow the cylinder piston rod to couple with the corresponding system that has to be enlivened.



### FEMALE PISTON ROD CLEVIS WITH CLIPS TO ISO 8140 STEEL - M4 ÷ M20 X 1,5



### FEMALE PISTON ROD CLEVIS WITH PIN AND SNAP RING TO ISO 8140 - STEEL - M4 ÷ M36 X 2

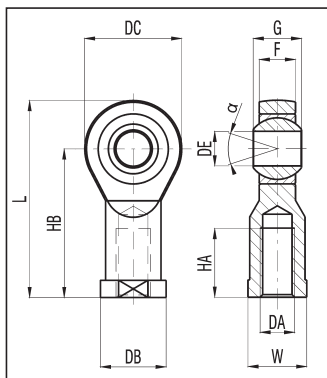


### DIMENSIONS AND WEIGHTS

DA	DB	DE	F B12	G	HA	HB	L	WEIGHT (g)	CYLINDER SERIES and Ø					TYPE		
									U-UP	P-UP	BU7	CPU-X	CPUI	WITH CLIPS	WITH CLIPS	
M4	8	4	4	8	8	16	21	10	8-10						FF4	-
M6	10	6	6	12	12	24	31	18	12-16						FF6	FFP6*
M8	14	8	8	16	16	32	42	20	20						FF8	FFP8*
M10x1,25	18	10	10	20	20	40	52	90	25	32	20÷40	32	32	FF10x1,25	FFP10x1,25*	
M12x1,25	20	12	12	24	24	48	62	130		40	50-63	40	40	FF10x1,25	FFP12x1,25*	
M16x1,5	26	16	16	32	32	64	83	330		50-63	80	50-63	50-63	FF16x1,5	FFP16x1,5*	
M20x1,5	34	20	20	40	40	80	105	650			100	80-100	80-100	FF20x1,5	FFP20x1,5*	
M27x2	48	30	30	55	54	110	148	2100					125	-	FFP27x2	
M36x2	60	35	35	70	72	144	188	3900					160-200	-	FFP36x2	

\* AISI 303 STAINLESS STEEL (SUPPLIED UPON REQUEST)

### SELF-LUBRICATING PISTON ROD EYE TO DIN ISO 12240 STANDARD - STEEL

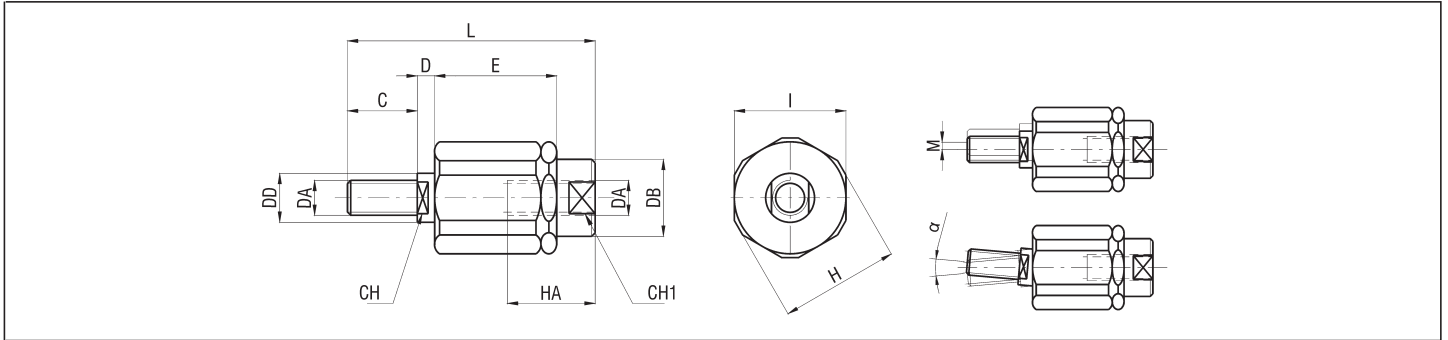


### DIMENSIONS AND WEIGHTS

DA	DB	DC	DE H7	F	G	HA	HB	L	W	α	WEIGHT (g)	CYLINDER SERIES and Ø					TYPE
												U-UP	P-UP	BU7	CPU-X	CPUI	
M4	11	18	5	6	8	10	27	36	9	13	18	8-10					FF4/SS*
M6	13	20	6	6,75	9	12	30	40	11	13	26	12-16					FF6/SS*
M8	16	24	8	9	12	16	36	48	14	14	46	20					FF8/SS*
M10x1,25	19	28	10	10,5	14	20	43	57	17	13	76	25	32	20÷40	32	32	FF10x1,25/SS*
M12x1,25	22	32	12	16	22	50	66	19	13	110			40	50-63	40	40	FF12x1,25/SS*
M16x1,5	27	42	16	15	21	28	64	85	22	15	220		50-63	80	50-63	50-63	FF16x1,25/SS*
M20x1,5	34	50	20	18	25	33	77	102	30	14	409			100	80-100	80-100	FF16x1,25/SS*
M27x2	50	70	30	25	37	51	110	145	41	17	1200					125	FF27x2/SS
M36x2	58	80	35	28	43	56	125	165	50	16	1600					160-200	FF36x2/SS

\* AISI 303 STAINLESS STEEL (SUPPLIED UPON REQUEST)

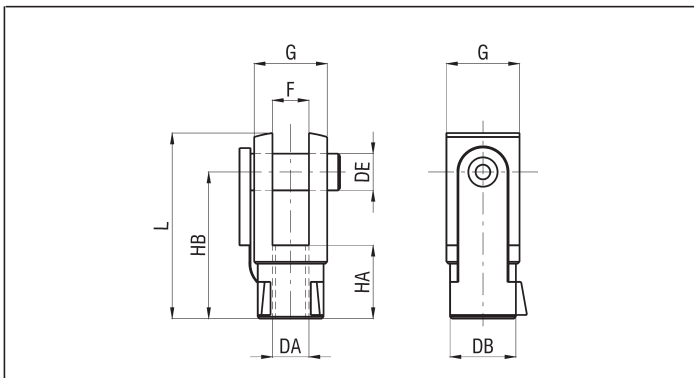
SELF-ALIGNING ROD COUPLER - GALVANIZED STEEL



DIMENSIONS AND WEIGHTS

DA	C	CH	CH1	D	DB	DD	E	H	HA	I	L	M	α	WEIGHT (g)	CYLINDER SERIES and Ø					TYPE
															U-UP	P-UP	BU7	CPU-X	CPUI	
M6	10	5	7	3,5	8,5	6	17,5	14,5	10	13	35	1	10	25	12-16					FF6/SA
M8	20	7	11	4	12,5	8	28,5	19	20	17	57	2	10	60	20					FF8/SA
M10x1,25	20	12	19	5	22	14	35	32	20	30	71	2	10	220	25	32	20÷40	32	32	FF10x1,25/SA
M12x1,25	24	12	19	5	22	14	35	32	20	30	75	2	10	230		40	50-63	40	40	FF12x1,25/SA
M16x1,5	32	20	30	8	32	22	54	45	32	41	103	2	10	660		50-63	80	50-63	50-63	FF16x1,5/SA
M20x1,5	40	20	30	8	32	22	54	45	40	41	119	2	10	700			100	80-100	80-100	FF20x1,5/SA
M27X2	54	24	54	10	57	32	60	70	40	65	147	2	8	1000				125		FF27x2/SA

FEMALE PISTON ROD CLEVIS WITH CLIPS TO DIN 71752 STANDARD - STEEL

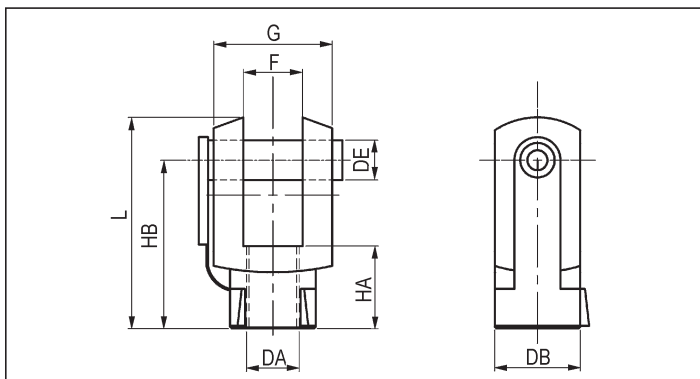


DIMENSIONS AND WEIGHTS

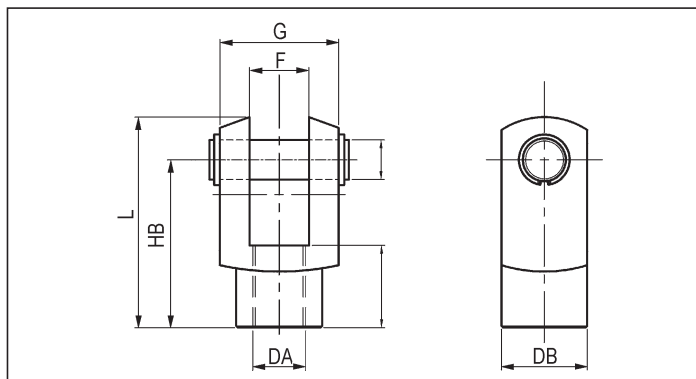
DA	DB	DE	F B12	G	HA	HB	L	WEIGHT (g)	CYLINDER SERIES HB	TYPE WITH CLIPS
									Ø	
M6	10	6	6	12	12	24	31	18	20	FF6
M8	14	8	8	16	16	32	42	42	27	FF8
M10	18	10	10	20	20	40	52	90	35-40	HB/FF10
M12	20	12	12	24	24	48	62	130	50	HB/FF12
M14	24	14	14	27	28	56	72	230	58	HB/FF14
M16	26	16	16	32	32	64	83	330	70	HB/FF16
M18	26	16	16	32	32	64	83	330	85	HB/FF18
M20	34	20	20	40	40	80	105	650	100	HB/FF20

1

**FEMALE PISTON ROD CLEVIS WITH CLIPS**  
TO ex CNOMO 06 07 14 STANDARD - STEEL - M 10 ÷ M 27 x 2



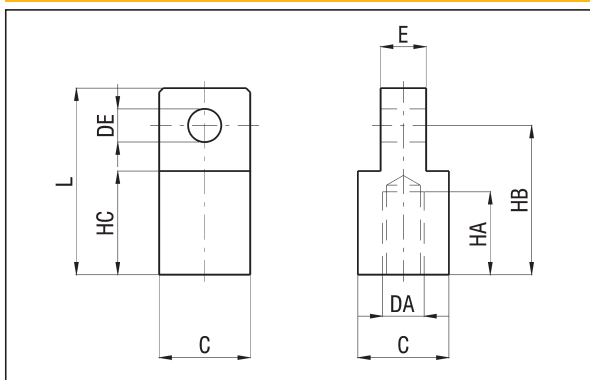
**FEMALE PISTON ROD CLEVIS WITH PIN AND SNAP RING**  
TO ex CNOMO 06 07 14 STANDARD - STEEL - M 10 ÷ M 36 x 2



**DIMENSIONS AND WEIGHTS**

DA	DB	DE	F B12	G	HA	HB	L	WEIGHT (g)	CYLINDER SERIES CX	TYPE	TYPE
									Ø		
M10	18	8	11	22	20	36	45	80	32	CX/FF10	CX/FFP10
M16x1,5	26	12	18	36	26	51	64	210	40-50	CX/FF16x1,5	CX/FFP16x1,5
M20x1,5	34	16	22	45	30	63	80	440	63-80	CX/FF20x1,5	CX/FFP20x1,5
M27x2	42	20	30	63	45	85	105	910	100-125	CX/FF27x2	CX/FFP27x2
M36x2	50	25	40	80	75	115	140	1800	160-200	-	CX/FFP36x2

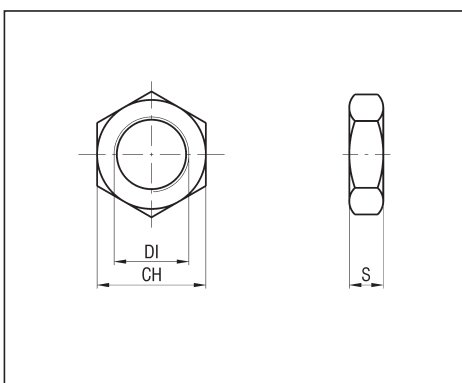
**MALE PISTON ROD CLEVIS TO ex CNOMO 06 07 15 STANDARD - STEEL**



**DIMENSIONS AND WEIGHTS**

C	DA	DE H8	E f8	HA	HB H13	HC	L	WEIGHT (g)	CYLINDER SERIES CX	TYPE
									Ø	
22	M10	8	11	20	36	25	45	30	32	CX/FM10
32	M16x1,5	12	18	30	51	34	64	100	40-50	CX/FM16x1,5
36	M20x1,5	16	22	36	63	41	80	140	63-80	CX/FM20x1,5
45	M27x2	20	30	50	85	58	105	320	100-125	CX/FM27x2
63	M36x2	25	40	70	115	81	140	870	160-200	CX/FM36x2

**ROD NUT**



**DIMENSIONS AND WEIGHTS**

DI	CH	S	WEIGHT (g)	CYLINDER SERIES and Ø							TYPE STEEL	TYPE STAINLESS STEEL	
				U-UP	P-UP	BU7	CX	CPU-X	CPU1	B+NIPPLE			
M4	7	3	0,8	8-10								DST4	DSTI4
M6	10	4	1,48	12-16								DST6	DSTI6
M8	13	5	4	20								DST8	DSTI8
M10x1,25	17	6	8,6	25	32	20÷40		32	32	32-40		DST10x1,25	DSTI10x1,25
M10	17	6	8,6				32					DST10	DSTI10
M12x1,25	19	7	12,1		40	50-63		40	40	50-63		DST12x1,25	DSTI12x1,25
M16x1,5	24	8	20,1		50-63	80	40-50	50-63	50-63	G50÷80		DST16x1,5	UPDT16
M20x1,5	30	9	36,3			100	63-80	80-100	80-100	100		DST20x1,5	DSTI20x1,5
M27x2	41	12	90				100-125			125		DST27x2	DSTI27x2
M36x2	55	15	190				160-200			160-200		DST36x2	DSTI36x2