

Stainless steel round cylinders

series AP

DESCRIPTION

Calked stainless steel cylinders series "AP", with round profile, are available from Ø32 to Ø63 in the following versions: double acting base, through rod, magnetic and non-magnetic. They are also available in the version to ATEX directive, 2GD category.

TECHNICAL DATA

| | |
|-----------------------|---|
| Operating pressure | 1÷10 bar |
| Working temperature | 0°C ÷ +80°C (with dry air -35°C) 0°C ÷ +150°C with VITON® seals (with dry air -10°C) |
| Fluid | Filtered, unlubricated or continuous lubricated compressed air |
| Versions | Double acting; Through rod |
| Bore | Ø 32, 40, 50, 63 |
| Port size | Ø 32 = G 1/8 Ø 40 - 50 = G 1/4 Ø 63 = G 3/8 |
| Standard strokes (mm) | 10, 25, 50, 80, 100, 125, 160, 200, 250, 320, 400, 500 |
| Max strokes (mm) | 500 |

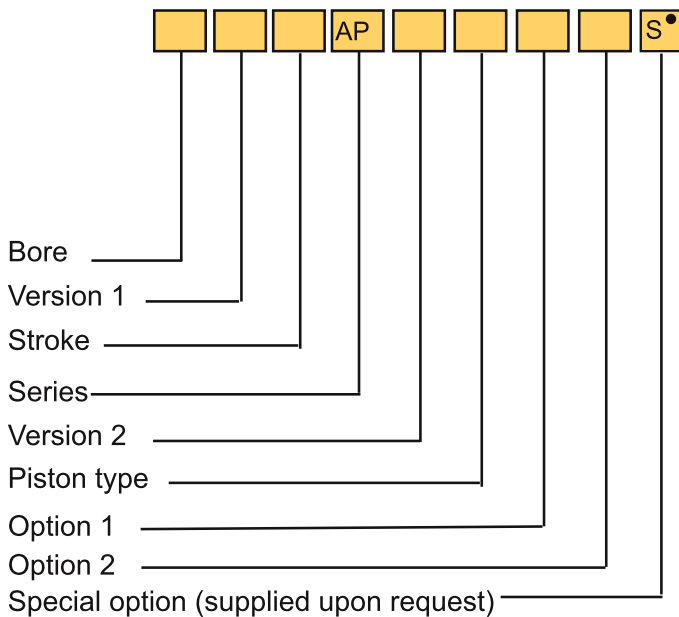


1

MATERIAL

| | |
|------------------------------|--|
| End caps | AISI 304 stainless steel |
| Cylinder barrel | Extruded profile, AISI 304 stainless steel |
| Barrel-end cover fixing type | Irreversible calking with dual-seal system, mechanical and pneumatic |
| Piston rod | AISI 316 stainless steel |
| Rod nut and ring nut | AISI 304 stainless steel |
| Piston rod bearing | Self lubricating sintered bronze |
| Piston | Aluminium alloy (supplied with or without magnet) |
| Seals | Polyuretane - Viton® |

ORDER KEY



P.S.:Magnetic sensors FM100-FM157 (see chapter magnetic sensor from page 1.93 CAT.08/IT)

● See technical data on page 0.12 CAT.08/IT

VERSION 1

/ Basic cylinder **R** Through rod

VERSION 2

D Double acting

PISTON TYPE

C Non-magnetic


E Magnetic*

OPTION 1

2 VITON® seals

OPTION 2

/EX Complies with the ATEX directive

 II 2GDc T5 T100°C -20°C<Ta<80°C

* It's possible use it with VITON seals for applications with chemical compatibility; It's not supplied for with high temperature applications.

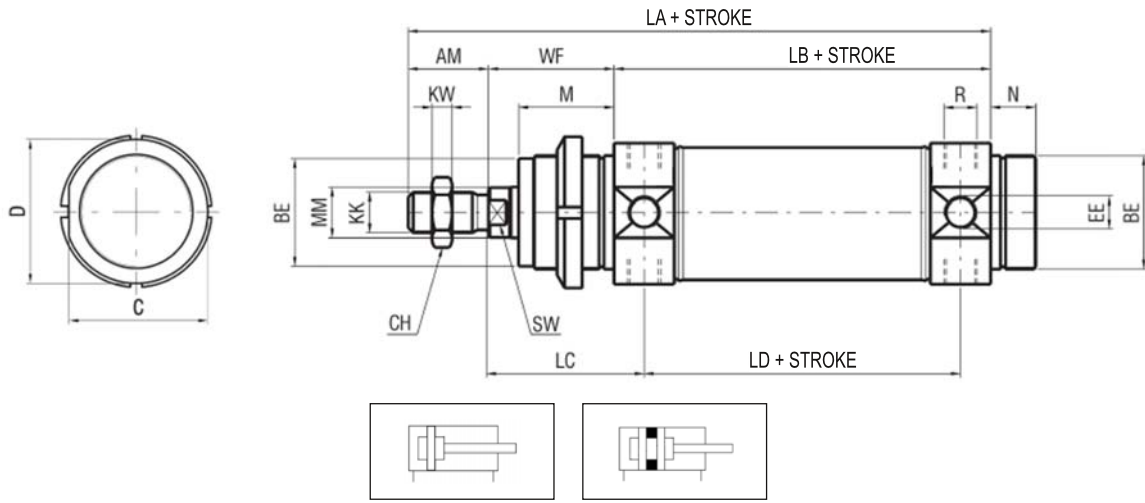
ORDER EXAMPLE

Basic cylinder Ø 32, 50 mm stroke, double acting, non-magnetic piston type, ATEX: **32/50 APDC/EX**

Basic cylinder Ø 63, 50 mm stroke, double acting, magnetic piston type: **63/50 APDE**

Cylinder Ø 40, through rod, 100 mm stroke, double acting, magnetic piston type: **40R100 APDE**

AP BASIC CYLINDER

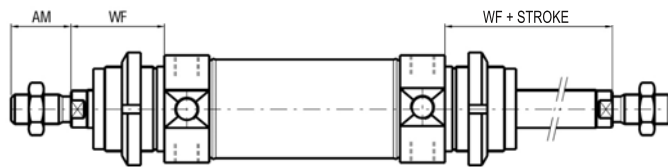


P.S.: End cap ring nut and rod nut supplied as standard

DIMENSIONS AND WEIGHTS BASIC CYLINDER

| \emptyset | AM | BE | C | CH | D | EE | KK | KW | LA | LB | LC | LD | M | MM | N | R | SW | WF | WEIGHT (g) | INCR.(g) x 10mm |
|-------------|----|---------|------|----|----|------|-----|----|-----|-----|----|----|----|----|----|---------|----|----|------------|-----------------|
| 32 | 20 | M30X1.5 | 36.5 | 17 | 38 | G1/8 | M10 | 6 | 154 | 96 | 47 | 78 | 30 | 12 | 14 | M8x1 | 10 | 38 | 789 | 15.3 |
| 40 | 24 | M38X1.5 | 44 | 19 | 46 | G1/4 | M12 | 7 | 182 | 113 | 57 | 89 | 35 | 16 | 16 | M10x1 | 13 | 45 | 1410 | 23.7 |
| 50 | 32 | M45X1.5 | 55 | 24 | 57 | G1/4 | M16 | 8 | 202 | 120 | 62 | 96 | 38 | 20 | 18 | M12x1.5 | 17 | 50 | 2383 | 39.6 |
| 63 | 32 | M45X1.5 | 67.5 | 24 | 70 | G3/8 | M16 | 8 | 206 | 124 | 63 | 98 | 38 | 20 | 18 | M14x1.5 | 17 | 50 | 3231 | 43.4 |

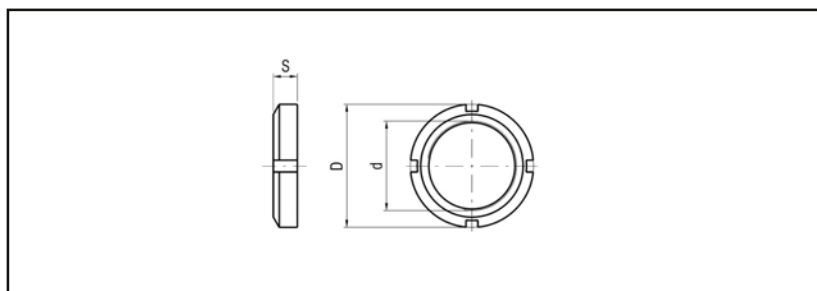
THROUGH ROD



P.S.: End cap ring nuts and rod nuts supplied as standard

RING NUT - STAINLESS STEEL - UPG Ø

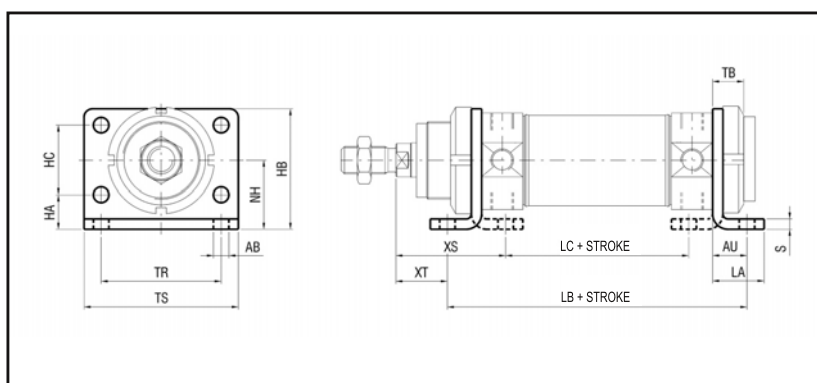
| Ø | d | D | S | WEIGHT (g) |
|-------|---------|----|---|------------|
| 32 | M30x1,5 | 45 | 7 | 43 |
| 40 | M38x1,5 | 50 | 8 | 80 |
| 50-63 | M45x1,5 | 58 | 9 | 122 |



FLANGE/FOOT - STAINLESS STEEL - UPFP Ø

| Ø | AB | AU | HA | HB | HC | LA | LB | LC |
|----|----|----|----|----|----|----|-----|----|
| 32 | 7 | 14 | 14 | 49 | 28 | 21 | 124 | 76 |
| 40 | 9 | 20 | 18 | 58 | 30 | 30 | 153 | 83 |
| 50 | 9 | 20 | 20 | 70 | 40 | 30 | 160 | 92 |
| 63 | 9 | 20 | 20 | 80 | 50 | 30 | 164 | 92 |

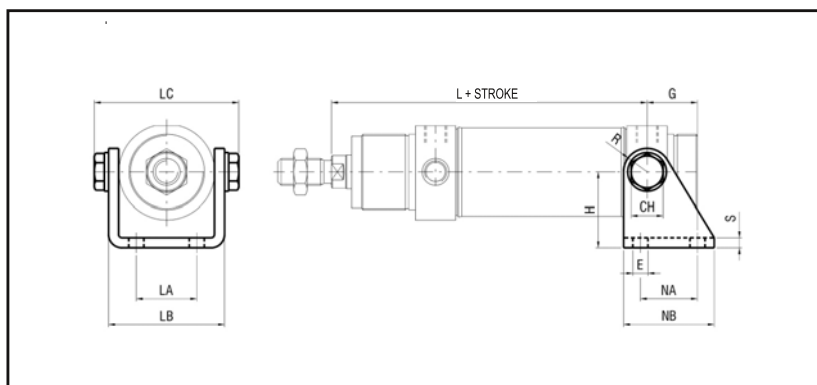
| Ø | NH | S | TB | TR | TS | XS | XT | WEIGHT (g) |
|----|----|---|----|----|----|----|----|------------|
| 32 | 28 | 4 | 11 | 52 | 66 | 48 | 24 | 98 |
| 40 | 33 | 5 | 13 | 60 | 80 | 60 | 25 | 183 |
| 50 | 40 | 6 | 14 | 70 | 90 | 64 | 30 | 276 |
| 63 | 45 | 6 | 14 | 76 | 96 | 64 | 30 | 395 |



REAR HINGE - STAINLESS STEEL - UPSC Ø

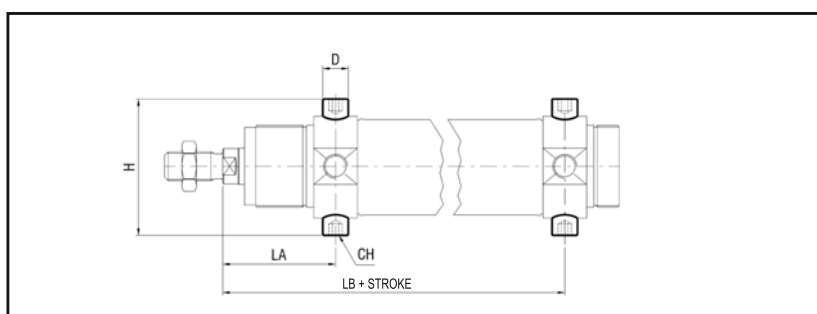
| Ø | CH | E | G | H | L | LA | LB |
|----|----|---|----|----|-----|----|------|
| 32 | 13 | 7 | 20 | 35 | 125 | 20 | 46.1 |
| 40 | 17 | 9 | 27 | 40 | 146 | 28 | 56.1 |
| 50 | 19 | 9 | 30 | 45 | 158 | 36 | 69.1 |
| 63 | 19 | 9 | 34 | 50 | 161 | 42 | 82.1 |

| Ø | LC | NA | NB | R | S | WEIGHT (g) |
|----|----|----|----|----|---|------------|
| 32 | 58 | 24 | 40 | 12 | 4 | 150 |
| 40 | 70 | 30 | 50 | 13 | 5 | 259 |
| 50 | 86 | 34 | 54 | 14 | 6 | 403 |
| 63 | 99 | 35 | 65 | 16 | 6 | 520 |



PIVOT (pair) - STAINLESS STEEL - UPT Ø

| Ø | D | H | LA | LB | CH | WEIGHT (g) |
|----|----|----|----|-----|----|------------|
| 32 | 10 | 51 | 47 | 125 | 5 | 10 |
| 40 | 12 | 61 | 57 | 146 | 6 | 20 |
| 50 | 14 | 75 | 62 | 158 | 6 | 40 |
| 63 | 16 | 92 | 63 | 161 | 8 | 65 |

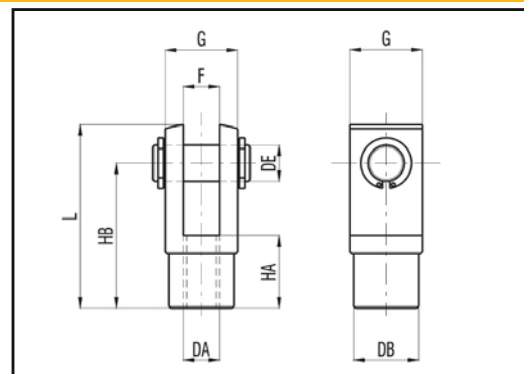


series AP

AISI 303 stainless steel attachment for cylinders

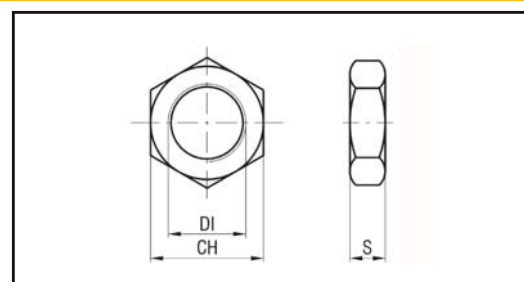
FEMALE PISTON ROD CLEVIS WITH PIN AND SNAP RING DIN 71752 - STAINLESS STEEL - A/FF__

| ∅ | DA | DB | DE | F b12 | G | HA | HB | L | WEIGHT (g) | TYPE |
|-------|-----|----|----|----------|----|----|----|----|---------------|--------|
| 32 | M10 | 18 | 10 | 10 | 20 | 20 | 40 | 52 | 38 | A/FF10 |
| 40 | M12 | 20 | 12 | 12 | 24 | 24 | 48 | 62 | 66 | A/FF12 |
| 50-63 | M16 | 26 | 16 | 16 | 32 | 32 | 64 | 83 | 146 | A/FF16 |



ROD NUT - STAINLESS STEEL - DSTI__

| ∅ | DI | CH | S | WEIGHT (g) | TYPE |
|-------|-----|----|---|---------------|-------------|
| 32 | M10 | 17 | 6 | 8.6 | DSTI10X1.5 |
| 40 | M12 | 19 | 7 | 12.1 | DSTI12X1.75 |
| 50-63 | M16 | 24 | 8 | 20.1 | DSTI16X2 |

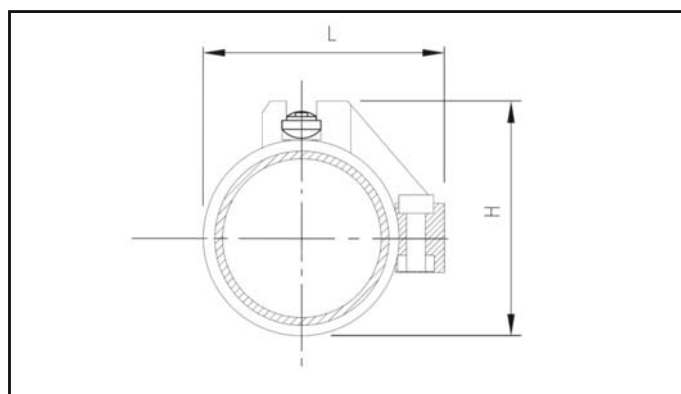


MAGNETIC SENSORS FM100 - FM157

See chapter magnetic sensors FM series from page 1.93 CAT.08/IT

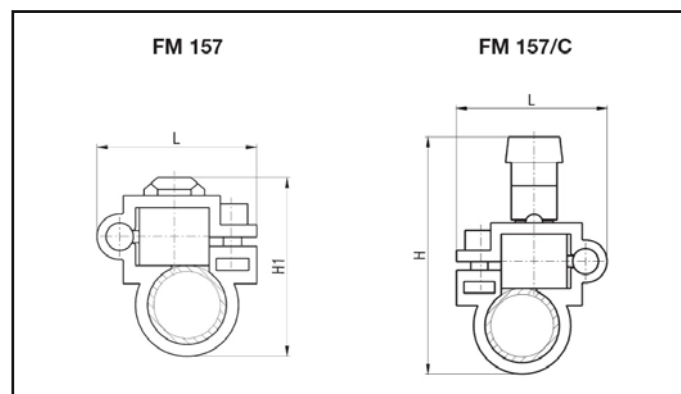
MAGNETIC SENSORS FIXING SERIES FM100 - FM157

FM100 MAGNETIC SENSOR FIXING ADAPTER - PLASTIC - FG∅



| ∅ | H | L | TYPE |
|----|----|----|------|
| 32 | 44 | 46 | FG32 |
| 40 | 52 | 54 | FG40 |
| 50 | 62 | 64 | FG50 |
| 63 | 76 | 78 | FG63 |

FM157 MAGNETIC SENSOR FIXING ADAPTER - PLASTIC - FG/___



| ∅ | H1 | H | L | TYPE |
|----|----|----|------|--------|
| 32 | 51 | 65 | 32 | FG/056 |
| 40 | 60 | 73 | 32 | FG/057 |
| 50 | 70 | 83 | 32.5 | FG/058 |
| 63 | 84 | 97 | 32.5 | FG/059 |